

SX9 Digital Therm

Light-Powered Digital Thermometer • Weatherproof NEMA-4X Case

INDUSTRIAL THERMOMETERS



SX9140305 shown

▶ **Light Powered
No Batteries Required**

▶ **Large 1" LCD Display
°F/°C Switchable**

▶ **ABS-FR Plastic Case
NEMA 4X/IP65**

▶ **Fire Resistant FR-V0**

The Trerice **SX9** "Digital Therm" comes standard with a NEMA-4X case, making it the perfect choice for outdoor applications and in areas that require "spray-down." The **SX9** is the ideal replacement for existing mercury-in-glass thermometers in environmentally conscious applications. It features an ABS-FR (fire-resistant) plastic case, class-leading 1" LCD display and an adjustable-angle stem that is fully interchangeable with industrial liquid-in-glass thermometers. Also available is a bimetal type stem for applications where a digital thermometer is preferred over existing analog bimetals. The "**SX9**" requires no external power and needs only 10 lux of illumination (from any light source) to operate.

- Optional features available: Please consult the Options & Accessories Section for details.

Thermowell

- For applications where the process media may be corrosive or contained under pressure, the use of a thermowell is required to prevent damage to the thermometer and facilitate its removal from the process. (Refer to page 160)

Specifications

Model	Case Size
SX9	5.9" Adjustable Angle
Case	Blue ABS-FR (fire-resistant) NEMA 4X
Stem	Industrial, Bimetal or Air-Duct
Connection	Industrial: 1 1/4-18 UNEF-2A coupling nut Bimetal: 304 Stainless steel stem 1/4" diameter, 1/2 NPT Air-Duct: Reversible mounting flange with 3 bolt holes
Sensor	Digital Temperature Sensor
Range	-50 to 300° F (-46° to 150° C)
Display	1" LCD digits switchable between F/C.
Accuracy	1% or 1° F, whichever is greater
Resolution	1/10°
Update Interval	10 seconds
Lux Rating	10 Lux (one foot candle)
Ambient Operating Temperature	-50° to 140° F (-46° to 60° C)
Ambient Temperature Error	None
Humidity	Maximum: 95 RH, non condensing
Approximate Shipping Weight	0.6 lbs [0.27 kg]

Note: Suitable for outdoor use.

HOW TO ORDER

Sample Order Number: **SX9 1 403 05**

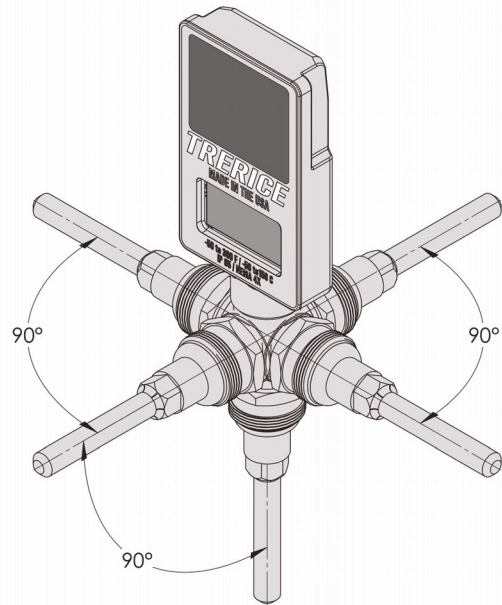
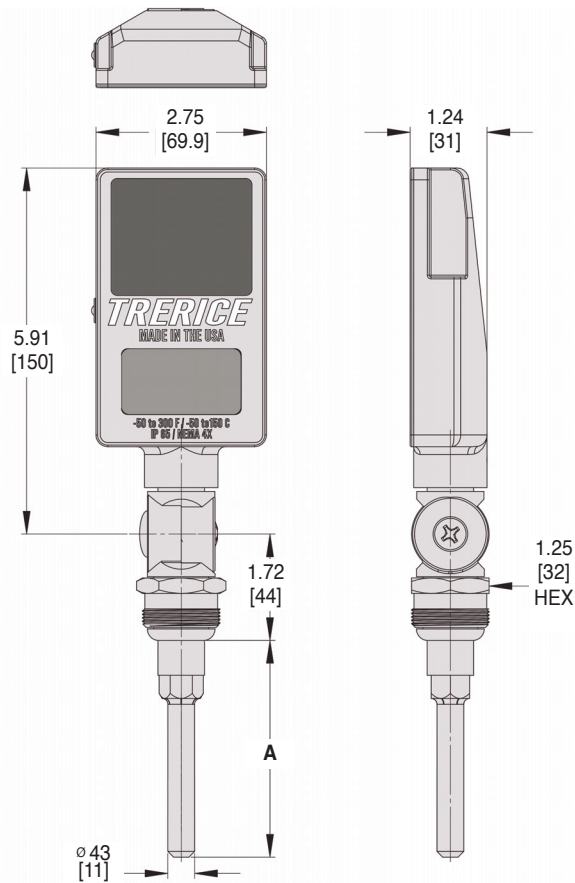
Model	Stem (Style & Material)	Stem (Length)	Specific Range
SX9 5.9" Adjustable	1 Industrial (Aluminum)	403 3 1/2" (standard)	05 -50° to 300° F/C
		406 6" (standard)	
		602 2 1/2" Bimetal	
	5 Bimetal (304 SS)	604 4" Bimetal	
		606 6" Bimetal	
		9 Air-Duct (Aluminum)*	
	012 12" Air-Duct		

* Not for use with Thermowell

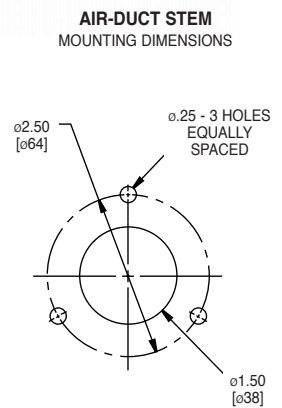
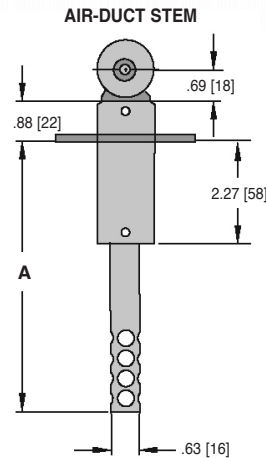
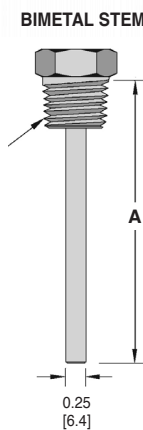
SX9 Digital Therm

INDUSTRIAL THERMOMETERS

All dimensions are nominal.
Dimensions in [] are in millimeters.



(A) Stem Length	Dimension
3 1/2" Industrial	3.50 [88.9]
6" Industrial	6.00 [152.4]
2 1/2" Bimetal	2.50 [63.0]
4" Bimetal	4.00 [101.6]
6" Bimetal	6.00 [152.4]
6" Air-Duct	6.00 [152.4]
12" Air-Duct	12.00 [304.8]



Thermowells for SX9 Solar-Therm

for INDUSTRIAL STYLE Stems				for BIMETAL STYLE Stems			
Model	Stem Length	Insertion Length	Material	Model	Stem Length	Insertion Length	Model
3-4F2	3 1/2"	2 1/2"	Brass	76-4G2	4"	2 1/2"	Brass
3-4FA2	3 1/2"	1.7" with 1" lagging extension	Brass	76-4GA2	4"	2" with 1" lagging extension	Brass
3-4J2	6"	5"	Brass	76-4J2	6"	4 1/2"	Brass
3-4JD2	6"	2 1/2" with 2 1/2" lagging extension	Brass	76-4JC2	6"	2 1/2" with 2" lagging extension	Brass

(See page 160 for additional materials)

(See page 163 for additional materials)