

Retort

for Food Processing

INDUSTRIAL THERMOMETERS



BX13403R21 shown

- ▶ 9" Scale Size
- ▶ ± 1 Scale Division Accuracy
- ▶ Cast Aluminum Case
- ▶ Rigid Straight Case
Rigid 45° Angle Case
Rigid 90° Angle Case

The Terrice **Retort** Industrial Thermometer is the instrument of choice within the food processing and canning industries. The scale is configured to indicate the temperature and corresponding pressure of steam. This thermometer is furnished with a rigid, stainless steel stem, in straight or angle forms, and features a 9" scale and rugged cast aluminum case.

- Optional features available: Please consult Options & Accessories Section for details.
- This thermometer includes a one-piece stainless steel stem and is designed to be directly installed using a union connection bushing (page 99); therefore, use of a thermowell is not required.

Specifications

| Models | Scale Size |
|------------------------------------|--|
| BX1 | 9" Rigid Straight |
| BX2 | 9" Rigid 90° Angle |
| BX5 | 9" Rigid 45° Angle |
| Fill Type | Mercury: Blue appearing |
| Case | Cast Aluminum, blue epoxy finish |
| Stem | One-piece, 304 stainless steel |
| Process Connection | 1 1/4 -18 UNEF-2A coupling nut (A union connection bushing is required for installation; please consult page 99 of the Options and Accessories section.) |
| Window | Acrylic on ranges to 300° F Glass on ranges over 300° F |
| Tube | Lens Front, blue appearing mercury |
| Scale | Aluminum, white background with black graduations and markings |
| Top Plate | ABS |
| Accuracy | ±1 scale division |
| Approximate Shipping Weight | BX1: 1.4 lbs [0.64 kg] BX2: 1.3 lbs [0.59 kg] BX5: 1.4 lbs [0.64 kg] |

HOW TO ORDER

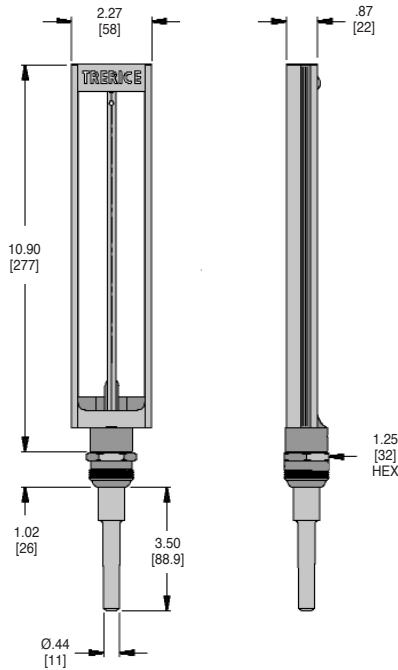
Sample Order Number: **BX1 3 403 R21**

| Model | Stem (Material) | Stem (Length) | Specific Range |
|---|-----------------|---------------|---------------------|
| BX1 Straight BX2 90° Angle BX5 45° Angle | 3 304 SS | 403 3 1/2" | See Standard Ranges |

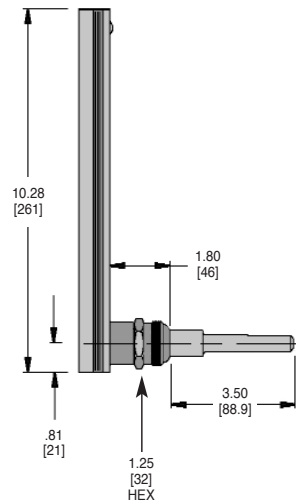
Retort

All dimensions are nominal.
Dimensions in [] are in millimeters.

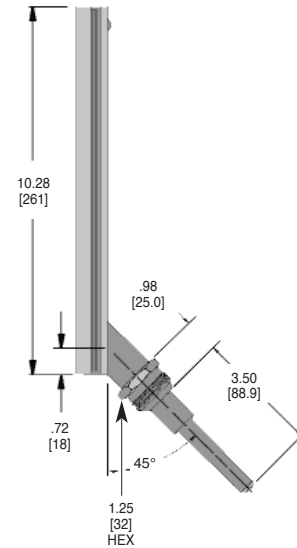
Rigid-Straight



Rigid-90° Angle



Rigid-45° Angle



INDUSTRIAL THERMOMETERS

Standard Ranges

| Fahrenheit & psi Scale | | Fahrenheit | | psi | |
|------------------------------------|--|------------------|-----------------|------------------------|------------------------|
| Range Code | Range | Figure Intervals | Minor Divisions | Figure Intervals | Minor Divisions |
| R21 | 170° to 270°F & 0 to 25 psi | 10°F | 1°F | 5 psi | 1 psi |
| R22 | 200° to 400°F & 0 to 220 psi | 20°F | 2°F | Progressive* | |
| Fahrenheit & Celsius Scale | | Fahrenheit | | Celsius | |
| Range Code | Range | Figure Intervals | Minor Divisions | Figure Intervals | Minor Divisions |
| R24 | 170° to 270°F & 80° to 130°C | 10°F | 1°F | 5°C | 1°C |
| R23 | 200° to 400°F & 95° to 205°C | 20°F | 2°F | 105°C | 1°C |
| Celsius & kg/cm ² Scale | | Celsius | | kg/cm ² | |
| Range Code | Range | Figure Intervals | Minor Divisions | Figure Intervals | Minor Divisions |
| R45 | 80° to 135°C & 0 to 2.1 kg/cm ² | 5°C | 0.5°C | 0.5 kg/cm ² | 0.1 kg/cm ² |

*Progressive scale: 0-40 (10 psi intervals); 40-120 psi (20 psi intervals), 120 to 180 psi (30 psi intervals), 180 to 220 psi (40 psi interval).