

Thermowells

for Dial Thermometers

All dimensions are nominal.
Dimensions in [] are in millimeters.



THERMOWELLS

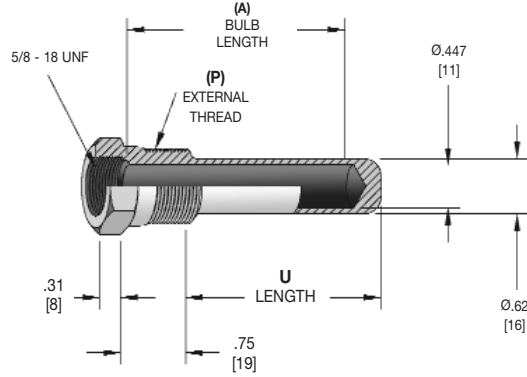
Lengths

(A) Bulb Length	Standard	with Lagging Extension	
	U Length	(T)	U Length
2"	2.13 [54]	-	-
4"	3.88 [99]	2.00 [51]	2.13 [54]
6"	5.75 [146]	2.00 [51]	3.88 [99]
8"	7.75 [197]	2.00 [51]	5.75 [146]
12"	11.75 [299]	3.00 [76]	7.50 [191]
18"	17.75 [451]	3.00 [76]	15.75 [400]
24"	23.75 [603]	3.00 [76]	21.75 [552]

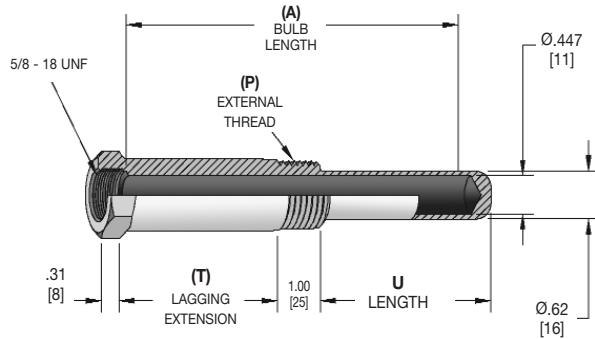
Pressure Rating (psi) per ASME Boiler Code, Section VIII, Part UG28

Material	Operating Temperature			
	70°F	200°F	400°F	600°F
Carbon Steel	2500	2240	2020	1640
304 Stainless Steel	2780	2280	2100	1700
316 Stainless Steel	2770	2660	2500	2300
Brass	1330 psi @ 150°F, 1280 @ 350°F			

Standard



with Lagging Extension



Alternative materials and accessories are also available. Please consult the Options and Accessories Section for details.

Selection of the proper thermowell is the sole responsibility of the user. Temperature and pressure limitations must be considered. Improper application may cause failure of the thermowell, resulting in possible personal injury or property damage.

HOW TO ORDER

Sample Order Number: **7-3 G 2**

Thermowell Style	(P) External Thread	(A) Bulb Length**	(T) Lagging Extension	Material
7- Dial	3 1/2 NPT	D 2" Bulb	C 2" Extension (4" and longer Bulb only)	2 Brass
		G 4" Bulb	E 3" Extension (12" and longer Bulb only)	3 Steel
	J 6" Bulb	Omit if None	5 304SS	
	L 8" Bulb		6 316SS	
	R 12" Bulb*			
	Wa 18" Bulb*			
	Wk 24" Bulb*			

*Not available with 1/2 NPT external thread.

**Dial Thermowells with Bulb Lengths over 6" are typically for use with Adjustable Union or Bendable Extension Connections.

