

# BX Plus

## Industrial Thermometer with Integrated RTD

INDUSTRIAL THERMOMETERS



- ▶ 9" Scale
- ▶ ± 1 Scale Division Accuracy
- ▶ Local Indication/Remote Data Acquisition
- ▶ 100Ω or 1000Ω RTD Sensors available

The Trerice **BX-Plus** has all the standard features of the original BX Series Industrial Thermometer, but with a "Plus". The "Plus" being an internally mounted 100Ω or 1000Ω RTD, allowing for remote temperature monitoring, while simultaneously providing local indication. This patented\* dual sensor design eliminates the need for additional instrumentation or connections when designing a system to include both mechanical and electronic temperature sensing.

\*U.S. Pat. Nos. 5,664,885 and 5,769,542.

- Optional features available: Please consult the Options & Accessories Section for details.
- These instruments are specifically designed for use with Trerice Digital Indicators (refer to the Electronic Temperature Sensor Section) and Electronic Controllers (refer to the Control Section).

MODEL BX3240307RTC

### Specifications

Models	Scale Size	
BX9	9"	Adjustable Angle
BX1	9"	Rigid Straight
BX2	9"	Rigid 90° Angle
<b>Fill Type</b>	Spirit: Blue colored, organic	
<b>Case</b>	Cast Aluminum, blue epoxy finish	
<b>Stem</b>	Aluminum, Brass, or 304 Stainless Steel	
<b>Process Connection</b>	1 1/4-18 UNEF-2A coupling nut	
<b>Electrical Connection</b>	Molded cordset with coupling nut and six meter cable	
<b>Window</b>	Acrylic on ranges to 300° F Glass on ranges over 300° F	
<b>Tube</b>	Lens front, magnifying type	
<b>Scale</b>	Aluminum, white background with black graduations and markings	
<b>Top Plate</b>	Stainless Steel	
<b>Sensor</b>	International grade thin film platinum, 3-wire, 100Ω or 1000Ω RTD $\alpha = 0.00385\Omega/\Omega/^{\circ}\text{C}$	
<b>Accuracy</b>	Thermometer: ±1 scale division RTD: ±3°C or 0.6% of temperature	
<b>Approximate Shipping Weight</b>	BX9: 1.9 lbs [0.86 kg] BX1: 1.7 lbs [0.77 kg] BX2: 1.6 lbs [0.73 kg]	

### HOW TO ORDER

Sample Order Number: **BX9 1 403 07 RTC**

Model	Stem Material	Stem (Length)	Specific Range	Sensor Type
BX9 9" Adjustable	1 Aluminum (standard)	403 3 1/2"	See Standard Ranges	RTC 100Ω RTD
BX1 9" Straight	2 Brass	406 6"		RTM 1000Ω RTD
BX2 9" 90° Angle	3 304 SS	408 8"		
		512 12"		

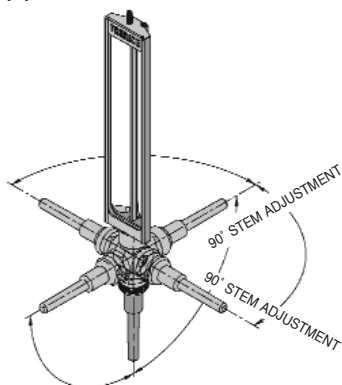
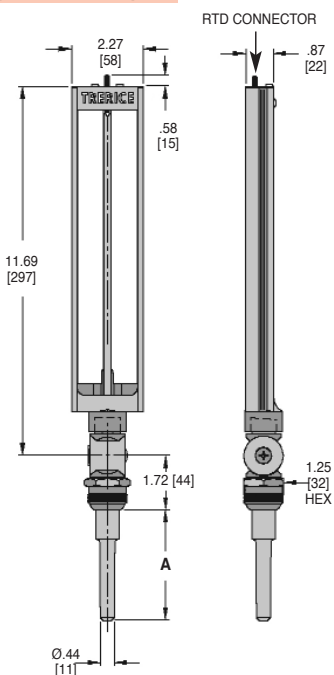


# BX Plus

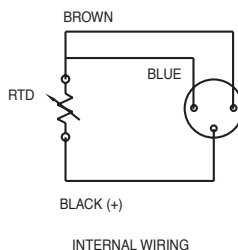
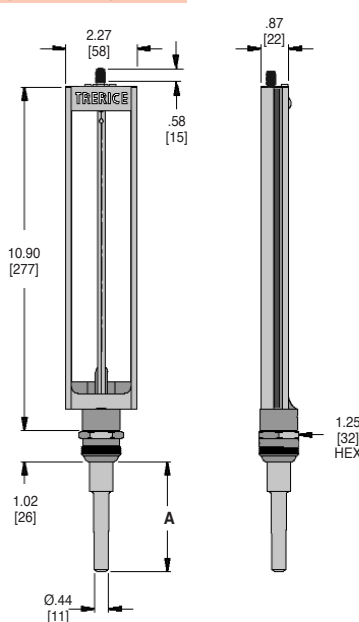
INDUSTRIAL THERMOMETERS

All dimensions are nominal.  
Dimensions in [ ] are in millimeters.

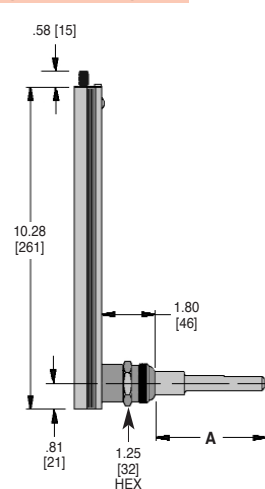
## Adjustable-Angle



## Rigid-Straight



## Rigid-90° Angle



(A) Stem Length	Dimension
3 1/2"	3.50 [88.9]
6"	6.00 [152.4]
8"	8.00 [203.2]
12"	12.00 [304.8]

## Standard Ranges

Fahrenheit Scale		Celsius Scale		Dual Scale		Fahrenheit		Celsius	
Range Code	Range	Range Code	Range	Range Code	Range	Figure Intervals	Minor Divisions	Figure Intervals	Minor Divisions
01	-40° to 110°F	17	-40° to 40°C	41	-40° to 110°F & -40° to 40°C	10°	2°	5°	1°
02	0° to 100°F	24	-18° to 38°C	42	0° to 100°F & -18° to 38°C	5°	1°	5°	0.5°
03	30° to 130°F	25	0° to 55°C	43	30° to 130°F & 0° to 55°C	5°	1°	5°	1°
04	0° to 160°F	26	-18° to 70°C	44	0° to 160°F & -18° to 70°C	10°	2°	5°	1°
06	30° to 180°F	27	0° to 83°C	46	30° to 180°F & 0° to 83°C	10°	2°	5°	1°
07	30° to 240°F	19	0° to 115°C	47	30° to 240°F & 0° to 115°C	10°	2°	5°	1°
08	30° to 300°F	20	0° to 150°C	48	30° to 300°F & 0° to 150°C	10°	2°	10°	2°
09	50° to 400°F	28	10° to 205°C	49	50° to 400°F & 10° to 205°C	25°	5°	10°	2°
15	50° to 500°F	31	10° to 260°C	55	50° to 500°F & 10° to 260°C	25°	5°	10°	2°

Dual scale figure intervals may differ