

# 940 Series Heavy Duty Control Valve

CONTROL VALVES



Actuator  
(shown with  
optional  
positioner)



Valve  
Body

940B shown

- ▶ Diaphragm Actuated
- ▶ 14" & 17"  
Actuator Sizes
- ▶ Heavy Duty Die Cast  
Housing and Yoke
- ▶ 1/2" – 8" Valve Sizes

The Trerice **940 Series** Pneumatic Control Valve offers extreme quality and maximum valve performance. The Series 940 is available in a variety of 2-way and 3-way valve styles for industrial, demanding HVAC and commercial process applications. The 940 Actuator can be furnished with a 14" or 17" diaphragm and includes a rugged, die cast aluminum diaphragm chamber.

For optimal performance, the service conditions (medium, flow, temperature, inlet and outlet pressures) of the application must be considered when selecting a valve. Please refer to the Valve Selection Section of this catalog. Consult the Valve Selection tables for the capabilities of a particular valve/actuator assembly. A positioner may be required to maximize the shut-off capability of the valve. Improper application may cause failure of the valve, resulting in possible personal injury or property damage.

For replacement or service parts please see Accessories and Replacement Parts in the Regulators and Control Valves section of the list price sheet.

## HOW TO ORDER

Sample Order Number: **940B-K84-760P**

Actuator Models	Valve Body Number	Positioner Model
940B 940C	Refer to pages 242-249	<b>760P</b> Pneumatic <b>760E</b> Electropneumatic Omit if None

1. **Determine** the valve size, style and material required by the application.
2. **Consult** the Valve Selection table to determine the required Valve Model.
3. **Refer** to the maximum close-off pressure columns to determine the Actuator (with or without positioner) needed to provide the close-off pressure required by your application.
4. **Specify** the Actuator Model.
5. **Specify** the Valve Body Number.
6. **Specify** the Positioner Model (if required).

# 940 Series

## Heavy Duty Control Valve

All dimensions are nominal. Dimensions in [ ] are in millimeters.

CONTROL VALVES

### Valve & Actuator Specifications

Actuator Models	Diaphragm Size
940B	14"
940C	17"

#### Construction

Aluminum yoke and diaphragm chamber, acrylic enamel finish

#### Pressure Plate

Aluminum

#### Diaphragm Material

Nylon reinforced Buna-N

#### Input Signal

3-15 psi

#### Air Pressure to Diaphragm

30 psig maximum

#### Air Pressure Connection

1/4 NPT Female

#### Operating Temperature

Ambient:

-40°F (-40°C) to 180°F (82°C)

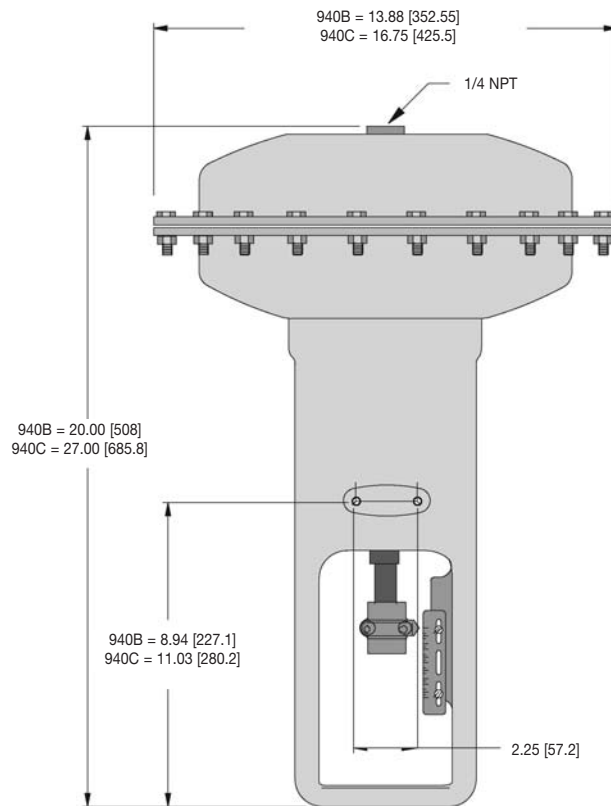
Process Flow:

-40°F (-40°C) to 410°F (210°C)

#### Approximate Shipping Weight

940B: 45 lbs [20 kg]

940C: 86 lbs [39 kg]



The Trerice TA987 Air Filter/Regulator is recommended for filtering and regulating the pressure of plant compressed air and delivering clean, dry air at the proper pressure to pneumatic control devices.

### Positioner Specifications

Models	Air Requirements	Connections	Ambient Temperature
760P (Pneumatic) 760E (Electropneumatic)	Clean, oil-free, dry air	Pneumatic: 1/4 NPT	-40°F (-40°C) to 185°F (85°C)
<b>Action</b> Direct	Maximum Supply Pressure: 30 psig	Gauge: 1/8 NPT	<b>Weight</b> 10 lbs [4.55 kg]
<b>Input Signal Ranges</b> 760P: 3 to 15 psig 760E: 4 to 20 mA	Air Consumption: 0.28 SCFH (760P), 0.38 SCFH (760E), typical Flow Rate: 9.0 SCFM	Electrical: 3/4 NPT Exhaust: 1/4 NPT	
		<b>Enclosure</b> NEMA 4X, IP65	