

Valve Body Selection

(for 940E Series Electric Motor Control Valve)

BRONZE

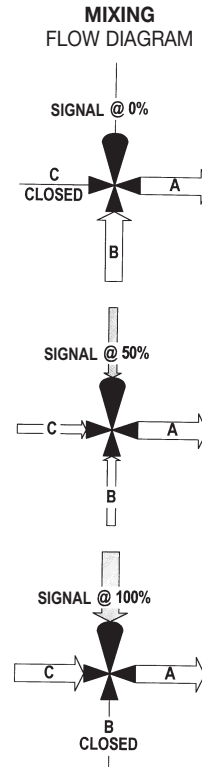
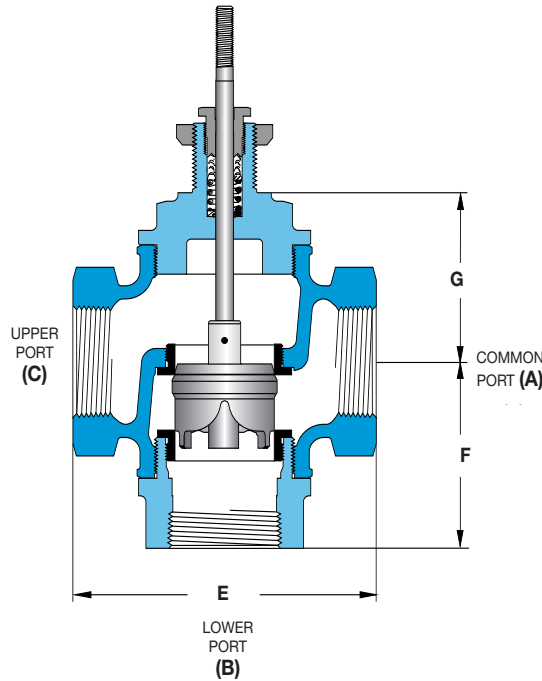
3-WAY • 1/2" – 2"



All dimensions are nominal. Dimensions in [] are in millimeters.

CONTROL VALVES

Mixing



Trerice 3-Way Valves are not designed for use in steam applications. To properly control the mixing of two flows, inlet pressures at ports B and C should be as equal as possible.

Specifications

Action	Body Material	Trim Material	Trim Style	Connection	Pressure & Temperature Rating
Mixing	Bronze	Stainless steel	Linear	Threaded	250 PSI @ 400°F (204°C)

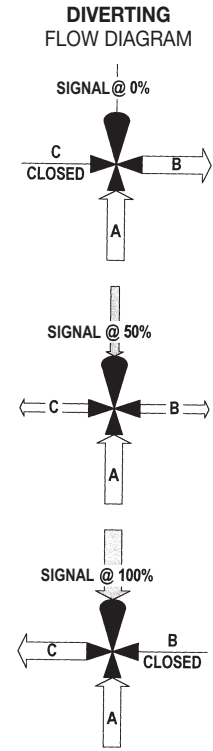
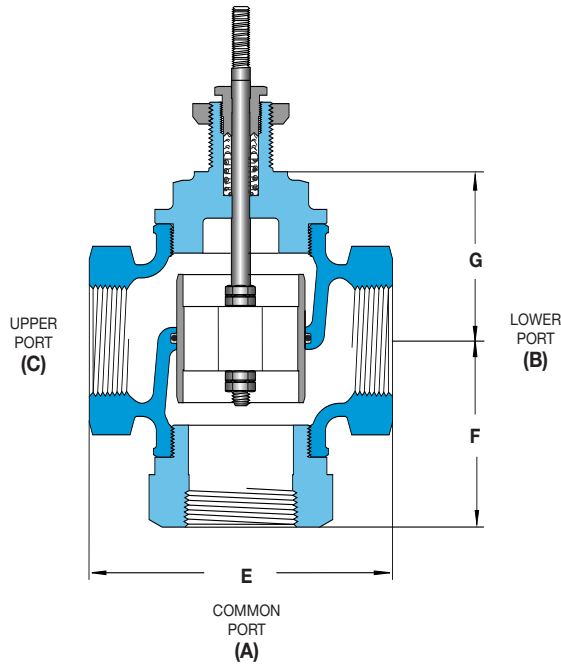
Valve Body Selection

Valve Body Number	Size		C _v	Maximum Close-Off Pressure (psid)		Dimensions			Approximate Shipping Wt.
	Connection (NPT)	Nominal Port		Linkage	30	52	E	F	
N18	1/2	1/2"	6.3	215	x	4.9 [124]	2.8 [71]	2.9 [74]	9.0 lbs [4.10 kg]
N25	3/4	3/4"	8.2	215	x	4.9 [124]	2.8 [71]	2.9 [74]	9.0 lbs [4.10 kg]
N34	1	1"	10	215	x	4.9 [124]	2.8 [71]	2.9 [74]	9.0 lbs [4.10 kg]
N56	1 1/2	1 1/2"	20	89	223	5.8 [147]	3.8 [97]	3.5 [89]	15.5 lbs [7.05 kg]
N67	2	2"	40	52	135	6.5 [165]	4.0 [102]	3.8 [97]	20.0 lbs [9.10 kg]

All dimensions are nominal. Dimensions in [] are in millimeters.



Diverting



Trerice 3-Way Valves are not designed for use in steam applications.

Specifications

Action	Body Material	Trim Material	Trim Style	Connection	Pressure & Temperature Rating
Diverting	Bronze	Bronze	Linear	Threaded	250 PSI @ 300°F (149°C)

Valve Body Selection

Valve Body Number	Size		C _v	Maximum Close-Off Pressure (psid)		Dimensions			Approximate Shipping Wt.
	Connection (NPT)	Nominal Port		Linkage	30	52	E	F	
J34	1	1"	12	125	x	4.9 [124]	3.5 [89]	2.9 [74]	9.0 lbs [4.10 kg]
J56	1 1/2	1 1/2"	22	125	x	5.8 [147]	3.8 [97]	3.5 [89]	16.5 lbs [7.5 kg]
J67	2	2"	40	125	x	6.5 [165]	4.0 [102]	3.8 [97]	21.0 lbs [9.55 kg]