

Valve Body Selection (for 910TB Control Valve)

STAINLESS STEEL

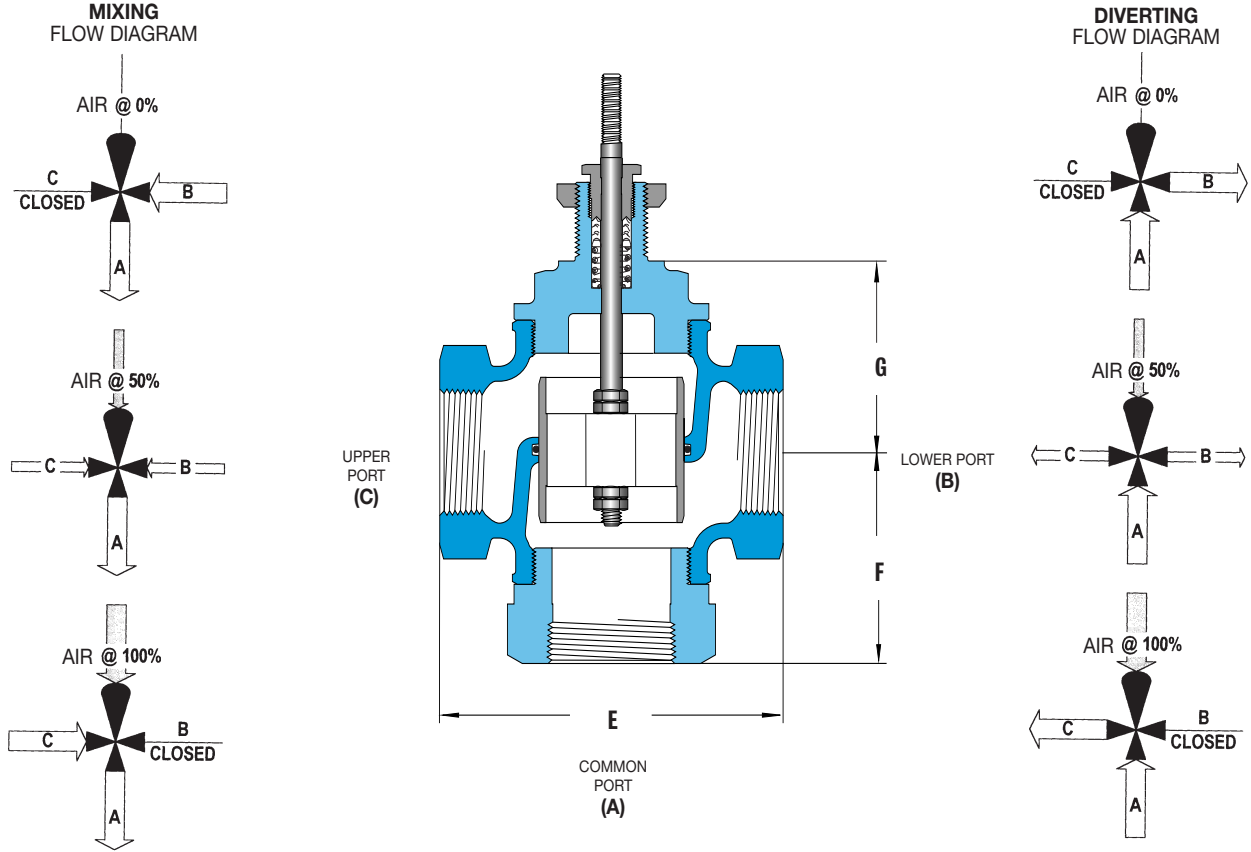
3-WAY • 1/2" - 2"



All dimensions are nominal. Dimensions in [] are in millimeters.

CONTROL VALVES

for Mixing or Diverting



Trerice 3-Way Valves are not designed for use in steam applications. To properly control the mixing of two flows, inlet pressures at ports B and C should be as equal as possible.

Specifications

Body Material	Trim Material	Trim Style	Connection	Pressure & Temperature Rating
Stainless steel	Stainless steel	Modified linear	Threaded	250 PSI @ 300°F (149°C)

Valve Body Selection

Mixing or Diverting				Maximum Close-Off Pressure (psid)			Approximate Shipping Wt.	
Valve Body Number	Size Connection (NPT)	Nominal Port	C _v	Actuator 910TB	Dimensions E	F		G
D18	1/2	1/2"	6	250	5.0 [127]	2.9 [74]	3.4 [86]	7.5 lbs [3.41 kg]
D25	3/4	3/4"	8	250	5.0 [127]	2.9 [74]	3.4 [86]	7.5 lbs [3.41 kg]
D34	1	1"	10	250	5.0 [127]	2.9 [74]	3.4 [86]	7.5 lbs [3.41 kg]
D56	1 1/2	1 1/2"	20	250	6.1 [155]	3.4 [86]	4.0 [102]	15.0 lbs [6.82 kg]
D67	2	2"	40	250	6.5 [165]	3.8 [97]	4.2 [107]	18.5 lbs [8.41 kg]