

Windows (PLW/SGW)

Terice offers a complete line of window options, including: plastic (acrylic) and laminated safety glass. Please consult the Option Application Table for window availability. Replacement windows are sold separately; please consult the price sheet for item numbers.

Red Set Hand (RSH)

Attached at the center of the dial face, a red set hand can be adjusted to indicate a desired predetermined reference point. The set point is adjusted by removing the ring and window of the gauge (dry gauge only). When used on a liquid filled gauge, please specify the set point when ordering. Please consult the Option Application Table for set hand availability.



Maximum Registering Pointers (MAX)

Maximum registering pointers can be furnished on most dry 3 1/2" dial size and larger pressure gauges having a pressure range of 60 psi or greater. The pointer is designed to indicate the maximum or minimum pressure attained by the process being measured since the pointer was last reset. The pointer assembly is installed to an acrylic window, with an external knob for manually resetting the pointer. Please consult the Option Application Table for maximum registering pointer availability.



Electric Contacts

Electric contact assemblies can be supplied on most 4", 4 1/2" and 6" pressure gauges. These units are well suited for making the electrical contact required to activate alarms, signals, or other electrical devices. Each unit is provided with an external adjustment key, making it easy to adjust and providing for tamper-resistant operation. The contacts have adjustable magnets to eliminate pointer bounce caused by vibration, and have pass/repass capability, allowing the pointer to move past the set point while maintaining contact. For applications that require a liquid-filled gauge, a special inductive type contact is required. Please consult factory for additional information.



Electric Contact Configurations

Optional Feature Code	Contact Style	Contact Action
EC1	Single High	Single contact: Makes on clockwise rotation
EC2	Single Low	Single contact: Breaks on clockwise rotation
EC3	High-Low	Double contact: High contact makes on clockwise rotation Low contact breaks on clockwise rotation
EC4	Double High	Double contact: 1st makes on clockwise rotation 2nd makes on clockwise rotation

Recommended Load Limits

Volts	Resistive	Inductive
110 Vac	0.25 A	0.13 A
24 Vdc	0.40 A	0.25 A

Please consult the Option Application Table for electric contact availability.

Optional Features

PRESSURE GAUGES

Weatherproofed Cases (WPC)

Trerice pressure gauges may be sealed for outdoor use, or for use in applications where sprays and washes will come in contact with the gauge. Trerice Series 450, 700, 750 and all liquid-filled gauges are hermetically sealed and are inherently weatherproof. The weatherproofing option is available for most other pressure gauges.

Pressure Relief Plugs (PRP)

This feature is designed to release non-instantaneously developed internal case pressure at 3 to 5 psi, and can be supplied on most 3 1/2" and larger pressure gauges. Please consult the Option Application Table for pressure relief plug availability.

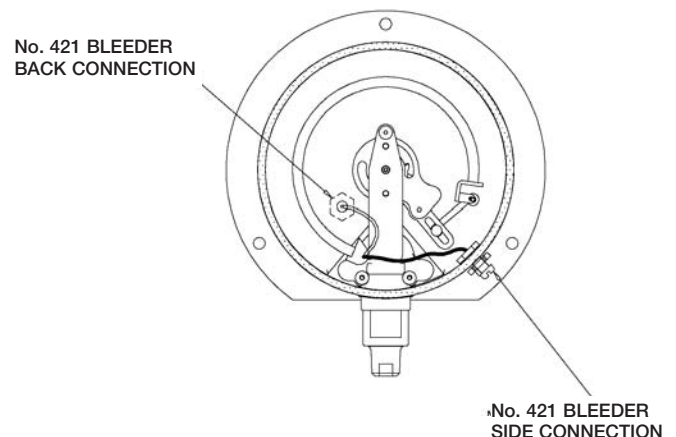


Silicone Dampened Movements (SDM)

The application of a highly viscous silicone oil to the gear, sector, and all bearing points of the movement will help reduce the effects of vibration and pulsation to which the gauge may be subjected. This feature will extend the life of the gauge by reducing wear on the movement, and is available on most Trerice Pressure Gauges. Please consult the Option Application Table for silicone dampened movement availability.

Capillary Tube Bleeders (CTB)

The No. 421 Capillary Bleeder has been designed as an accessory for the 500X Series Pressure Gauge. This feature makes it possible to completely eliminate air or other pressure media that may be trapped in the bourdon tube of a gauge. After installation, the bleeder must be opened to allow the entrapped air or medium to be purged from the bourdon tube. After purging, the bleeder can be closed, permitting proper action of the gauge. When used on a 500XB gauge, the bleeder assembly is manufactured from brass, and has a maximum pressure of 1000 psi. When used on a 500XSS gauge, the bleeder assembly is manufactured from 347 stainless steel, and has a maximum pressure of 5000 psi. Please consult the Option Application Table for capillary bleeder availability.



Snubber Screws and Restrictors

A snubber screw or restrictor may be installed in the gauge socket to reduce shock to the gauge and prevent wear on the movement, and should be installed where sudden pressure surges or oscillations are expected. Snubber screws reduce the pulsation by forcing the pressure medium through a porous metal core, while restrictors use a small orifice for pulsation reduction. Trerice also offers externally installed pressure snubbers. Please consult the Accessories section for details.

Snubber Screws and Restrictors

Optional Feature Code	Item No.	Service	Construction
SS2	D368	Air & other gases	316 stainless steel body & core, 1/4-20 UNC thread
SS4	D369	Vapor & low viscosity fluids under 30 SSU	316 stainless steel body & core, 1/4-20 UNC thread
SS6	D370	Water and oils 30 SSU to 250 SSU	316 stainless steel body & core, 1/4-20 UNC thread
SS8	D371	Heavy oils and viscous fluids 250 SSU to 500 SSU	316 stainless steel body, 1/4-20 UNC thread Core omitted, 0.040 orifice
RES	104-0005.3	Air, gases & fluids	Brass, push-in
RSS	Optional feature only. Not sold separately.	Air, gases & fluids	316L stainless steel, screw-in

Please consult the Option Application Table for snubber screw and restrictor availability.

Alternate Fill Fluids (SLF & HLF)

By minimizing wear on the gauge internals resulting from vibration or oscillation, liquid filling can prolong the life of a pressure gauge. Liquid filling also acts a permanent lubricant to the moving parts of the instrument. Trerice provides glycerine as the standard fill material. Silicone (**SLF**) and halocarbon (**HLF**) are available as alternate fills. Please consult factory for availability.

Recalibration and Certification

The factory is equipped to recalibrate and/or certify pressure gauges having $\pm 0.5\%$ Full Scale ASME B40.100 Grade 2A or lesser accuracy in ranges from 30" Hg vacuum to 20,000 psi pressure. Price is determined by range, gauge accuracy and number of points certified; please consult factory.

Optional Features

OPTION AVAILABILITY TABLE

Optional Feature Codes

	PLW	SGW	RSH	MAX	EC-X	WPC	PRP	SDM	CTB	SS-X	RES	RSS
	Plastic Window (Acrylic)	Laminated Safety Glass Window	Red Set Hand ¹	Maximum Registering Pointer ²	Electric Contact ³	Weather-Proofed Case	Pressure Relief Plug	Silicone Dampened Movement	Capillary Tube Bleeder	Snubber Screw	Push-in Restrictor	Restrictor Screw
450 Series (Dry)	S	O	O	O	O	S	N/A	O	N/A	O	N/A	N/A
450 Series Liquid Filled	S	O	O	N/A	O	S	N/A	N/A	N/A	O	N/A	N/A
500X Series	O	O	O	O	O	O	O	O	O	O	N/A	N/A
600 Series	O	N/A	O	N/A	N/A	O	O	O	N/A	N/A	O	N/A
690 Series	S	N/A	O	O	N/A	O	O	O	N/A	N/A	O	N/A
700 Series	O	S	N/A	O	O	S	S	O	N/A	N/A	N/A	O
750 Series	O	S	N/A	O	N/A	S	S	N/A	N/A	N/A	N/A	O

¹ Red set hand is not available with 1 1/2", 2", 8 1/2", or 12" dial size. Set hand per 2 1/2", dial size is an adhesive decal, applied directly to inside surface window.

² Maximum registering pointer not available on liquid filled gauges or 2 1/2", dial sizes.

³ Electric contact only available with 4", 4 1/2", or 6" dial sizes. Consult factory for liquid filled gauge applications.

S – Standard Product Feature O – Optional Feature at Additional Charge N/A – Not Available

How to Order

Specify the Optional Feature Ordering Code at the end of the Instrument Ordering Code.

Sample Order Number: **600CB 45 02 L A 110** **PLW**