

Flange-Mounted Diaphragm Seals

DIAPHRAGM SEALS



M530 shown

- ▶ Clean-out Design
- ▶ Flushing Connection Available
- ▶ ANSI Raised Face Flanged Process Connection

The **Trerice Flange-Mounted Diaphragm Seal** is furnished with a Clean-out design in ANSI Raised Face Flange (RFF) sizes of 1/2" through 3". Process housing flanges mate with the piping flange, which is supplied by the user. Available diaphragm choices include: Teflon (T), Viton (V), Removable Metal (M) and Welded Metal (W).

Selection of the proper diaphragm seal is the sole responsibility of the user. Temperature and pressure limitations must be considered. Please refer to the Diaphragm Seal Design & Operation Section of this catalog. Improper application may cause failure of the seal, resulting in possible personal injury or property damage.

For correct use and application of all diaphragm seals, please refer to Diaphragm Seal Standard ASME B40.2.

SPECIFICATIONS

Style	Available Diaphragm Types*	Diaphragm Size	Process Connection	Clean-out Design	1/4 NPT Flushing Connection
525	M, T, V, W	Standard	1/2" ANSI RFF	Yes	No
526	M, T, V, W	Standard	1/2" ANSI RFF	Yes	Yes
530	M, T, V, W	Standard	1" to 3" ANSI RFF	Yes	No
531	M, T, V, W	Standard	1" to 3" ANSI RFF	Yes	Yes
625	M, T, W	Large	1/2" and 1" ANSI RFF	Yes	No
626	M, T, W	Large	1/2" and 1" ANSI RFF	Yes	Yes
630	M, T, W	Large	1 1/2" to 3" ANSI RFF	Yes	No
631	M, T, W	Large	1 1/2" to 3" ANSI RFF	Yes	Yes

*M = Removable Metal, T = Teflon, V = Viton, W = Welded Metal

Note: Due to the variety of available diaphragm seal configurations and materials, it is not possible to list each weight in this catalog. Please consult factory.

HOW TO ORDER

Sample Order Number: **M 5 25 04 S S CC**

Diaphragm Type	Diaphragm Size	Style	Connection Size	Diaphragm Material	Process Housing Material	Instrument Housing & Bolt Material
M Metal	5 Standard	25 Small Flange, Non-Flushing	See Connection Sizes	See Diaphragm Materials	See Process Housing Materials	CC Carbon Steel SS 316 Stainless Steel
T Teflon	6 Large	26 Small Flange, Flushing				
V Viton**		30 Large Flange, Non-Flushing				
W Welded		31 Large Flange, Flushing				

**Diaphragm Type V available only with Diaphragm Size 5.

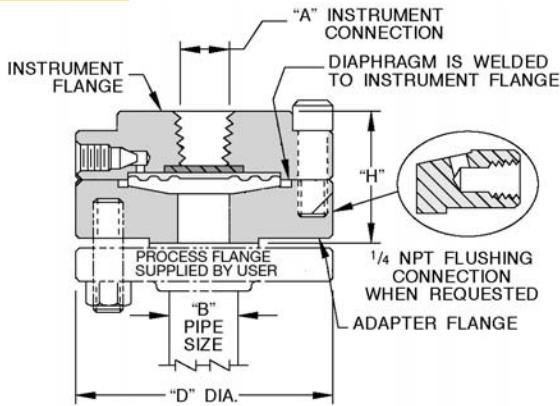
See Sizes and Materials Table

Flange-Mounted Diaphragm Seals

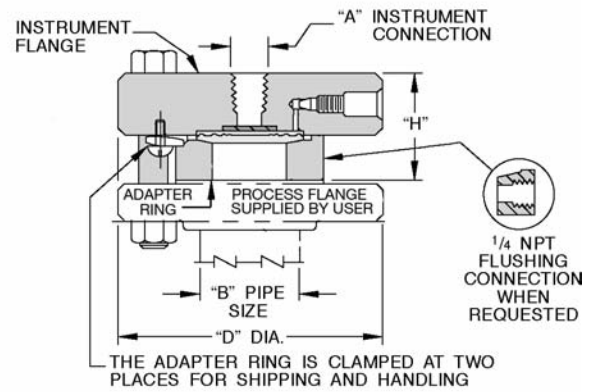
All dimensions are nominal. Dimensions in [] are in millimeters.

DIAPHRAGM SEALS

Styles 25 & 26



Styles 30 & 31



Diaphragm Type and Size	A	B	Flange Rating	H	D
M, T, V, W 5 Series	1/4, 1/2 NPT as specified	1/2	150# 300#	1.69 [43] 1.69 [43]	3.25 [83] 3.50 [89]
M, T, W 6 Series	1/4, 1/2 NPT as specified	1/2 1	150# 300# 150# 300#	1.69 [43] 1.69 [43] 1.69 [43] 1.81 [46]	4.00 [102] 4.00 [102] 4.00 [102] 4.50 [114]

Diaphragm Type and Size	A	B	Flange Rating	H	D
M, T, V, W All Series	1/4, 1/2 NPT as specified	1 1 1/2 2 3	150# 300# 150# 300# 150# 300#	1.69 [43] 1.69 [43] 1.63 [41] 1.63 [41] 1.63 [41] 1.63 [41] 1.81 [46]	4.25 [108] 4.75 [121] 5.00 [127] 6.00 [152] 6.00 [152] 6.50 [165] 7.50 [191] 8.00 [203]

Sizes and Materials

Connection Sizes			Diaphragm Materials		Process Housing Materials	
Code	Instrument Connection (NPT)	Process Connection	Code	Material	Code	Material
The following are available only on Styles 25 and 26.						
01	1/4	1/2" 150# RFF	D	Carpenter 20	C	Steel
02	1/2	1/2" 150# RFF	F	304 Stainless Steel ¹	D	Carpenter 20
03	1/4	1/2" 300# RFF	G	Hastelloy B	F	304 Stainless Steel
04	1/2	1/2" 300# RFF	H	Hastelloy C-276	G	Hastelloy B
The following are available only on Styles 530, 531, 625 and 626.						
21	1/4	1" 150# RFF	M	Monel	H	Hastelloy C-276
22	1/2	1" 150# RFF	N	Nickel	L	Teflon-lined ³
23	1/4	1" 300# RFF	S	316 Stainless Steel	M	Monel
24	1/2	1" 300# RFF	T	Teflon	N	Nickel
The following are available only on Styles 30 and 31.						
41	1/4	1 1/2" 150# RFF	U	Tantalum	P	Polypropylene ⁴
42	1/2	1 1/2" 150# RFF	V	Viton ²	S	316 Stainless Steel
43	1/4	1 1/2" 300# RFF			T	Teflon ⁴
44	1/2	1 1/2" 300# RFF			Z	PVC ⁴
51	1/4	2" 150# RFF				
52	1/2	2" 150# RFF				
53	1/4	2" 300# RFF				
54	1/2	2" 300# RFF				
61	1/4	3" 150# RFF				
62	1/2	3" 150# RFF				
63	1/4	3" 300# RFF				
64	1/2	3" 300# RFF				

¹ 304 Stainless Steel diaphragm not available with Diaphragm Size 6.

² Viton Diaphragm available only with Diaphragm Size 5.

³ Teflon-lined Process Housing available only with Style 30.

⁴ Polypropylene, PVC and Teflon Process Housings available only with Styles 30 and 31.

