

# Drop-In Welded Diaphragm Seals

DIAPHRAGM SEALS



M565 shown



The Trerice **Drop-In Welded Diaphragm Seal** is furnished with a Clean-out design for use on piping 4" or larger in diameter. The diaphragm seal is installed by welding the process housing directly into the pipe. Available diaphragm choices include: Teflon (T), Viton (V), Removable Metal (M) and Welded Metal (W).

- ▶ Clean-out Design
- ▶ Welded Process Connection

Selection of the proper diaphragm seal is the sole responsibility of the user. Temperature and pressure limitations must be considered. Please refer to the Diaphragm Seal Design & Operation Section of this catalog. Improper application may cause failure of the seal, resulting in possible personal injury or property damage.

For correct use and application of all diaphragm seals, please refer to Diaphragm Seal Standard ASME B40.2.

## SPECIFICATIONS

Style	Available Diaphragm Types*	Diaphragm Size	Process Connection	Clean-out Design	1/4 NPT Flushing Connection
565	M, T, V, W	Standard	Threaded	Yes	No

\*M = Removable Metal, T = Teflon, V = Viton, W = Welded Metal

Note: Due to the variety of available diaphragm seal configurations and materials, it is not possible to list each weight in this catalog. Please consult factory.

## HOW TO ORDER

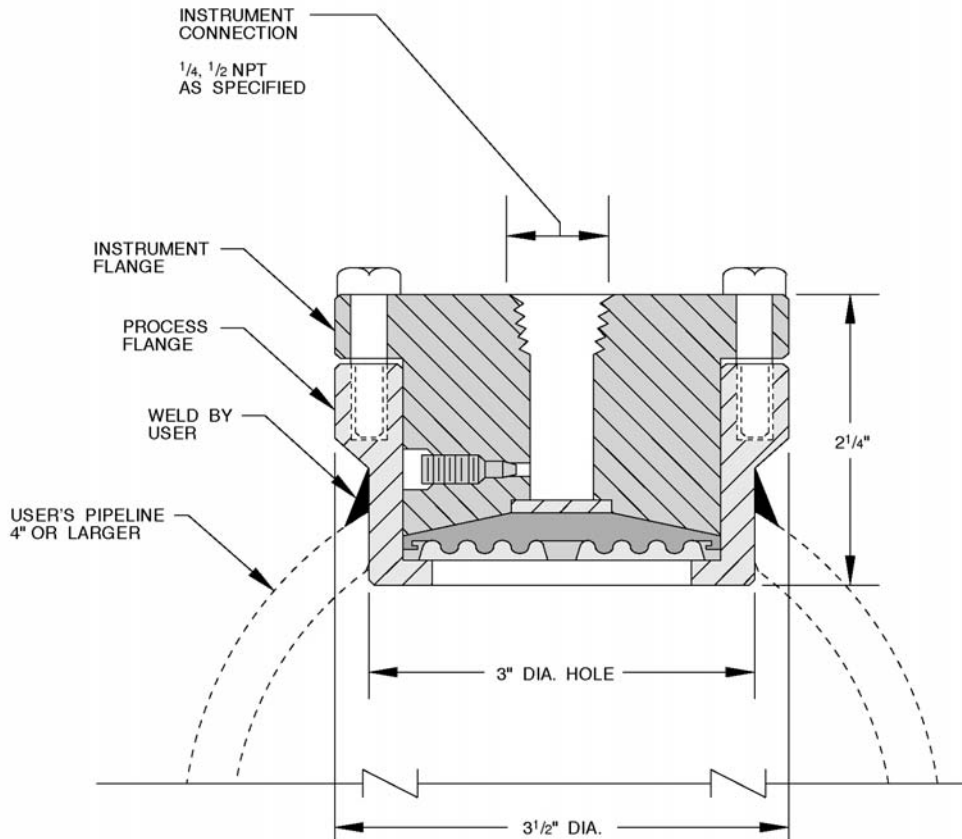
Sample Order Number: **M 5 65 11 S S CC**

Diaphragm Type	Diaphragm Size	Style	Connection Size	Diaphragm Material	Process Housing Material	Instrument Housing & Bolt Material
M Metal T Teflon V Viton W Welded	5 Standard	65 Drop-In Welded	See Connection Sizes	See Diaphragm Materials	See Process Housing Materials	CC Carbon Steel SS 316 Stainless Steel

See Sizes and Materials Table

# Drop-In Welded Diaphragm Seals

All dimensions are nominal.



DIAPHRAGM SEALS

## Sizes and Materials

Connection Sizes			Diaphragm Materials		Process Housing Materials	
Code	Instrument Connection (NPT)	Process Connection	Code	Material	Code	Material
11	1/4	3" Process Housing	D	Carpenter 20	C	Steel
12	1/2	3" Process Housing	F	304 Stainless Steel	D	Carpenter 20
			G	Hastelloy B	F	304 Stainless Steel
			H	Hastelloy C-276	G	Hastelloy B
			M	Monel	H	Hastelloy C-276
			N	Nickel	M	Monel
			S	316 Stainless Steel	N	Nickel
			T	Teflon	S	316 Stainless Steel
			U	Tantalum		
			V	Viton		