

875 Series

Dry or Liquid Filled • Brass Case

INDUSTRIAL GAUGES



875B shown

- ▶ Forged Brass Case & Socket
- ▶ Dry or Liquid Filled
- ▶ NEMA 4X Protection

The Trerice **875 Series** is designed for severe service applications. The one piece forged brass case and socket is able to withstand the harshest industrial processes. Glycerin fill is available to help protect against vibration and shock.

- Optional features and case style variations available: Please consult the **Options & Accessories Section** for details.
- For correct use and application of all pressure gauges, please refer to: **Pressure Gauge Standard ASME B40.100.**

Specifications

Models	875B (dry) 875LFB (liquid filled)
Dial Size	2 1/2"
Wetted Parts	Copper alloy tube and forged brass socket
Fill	Glycerin. Other fills available. See Options & Accessories.
Movement	Brass
Connection	Lower male, 1/4 NPT
Case	Forged Brass
Ring Assembly	Press-in window with Polycarbonate Cover
Window	Polycarbonate
Pointer	Aluminum, black finished
Dial Face	Aluminum, white background with black gradations and markings
Accuracy	±2-1-2% Full Scale, ASME B40.100 Grade A
Weather Protection	NEMA 4X / IP65
Maximum Operating Temperature	140° F / 60° C

Approximate Shipping Weight

875B: (dry)	0.65 lbs [0.29 kg]
875LFB: (liquid filled)	0.78 lbs [0.35 kg]

HOW TO ORDER

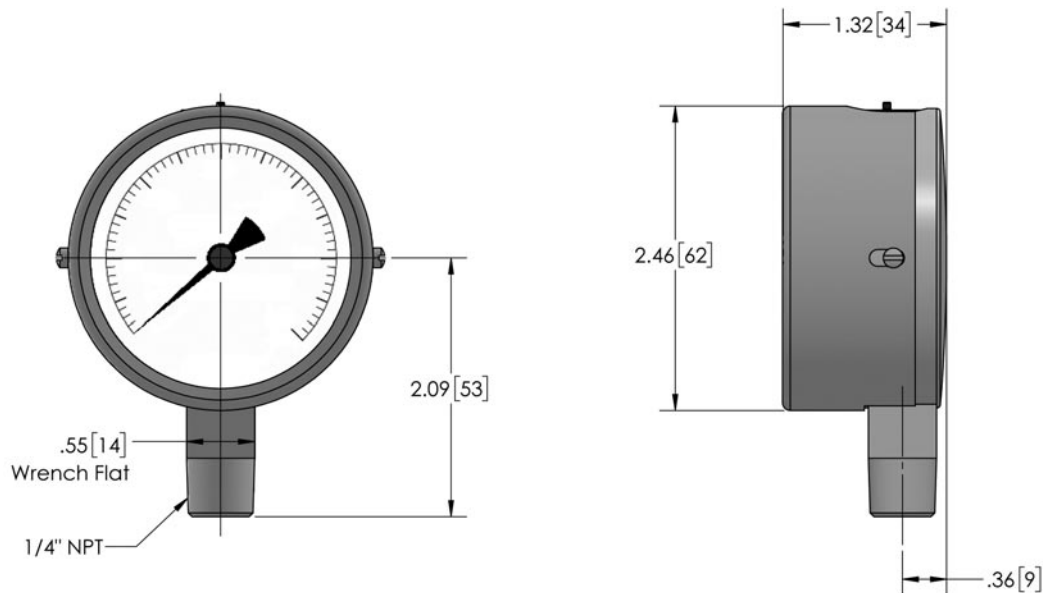
Sample Order Number: **875LFB 25 02 L A 130**

Model	Dial Size	Connection Size	Connection Location	Units of Measure	Range Code
875B 875LFB	25 2 1/2"	02 1/4 NPT	L Lower	A psi D psi/kPa	See Standard Ranges

875 Series

Dry or Liquid Filled • Brass Case Gauge

All dimensions are nominal. Dimensions in [] are in millimeters.



INDUSTRIAL GAUGES

Standard Ranges

psi Ranges (A)			
Range Code	Specific Range	Figure Intervals	Minor Divisions
010	30" Hg to 0	5	0.5
020	30" Hg to 15 psi	10/5	1/0.5
030	30" Hg to 30 psi	10/5	1/1
040	30" Hg to 60 psi	10/10	2/1
050	30" Hg to 100 psi	30/20	2/2
060	30" Hg to 150 psi	30/30	5/2
070	30" Hg to 300 psi	30/50	5/5
080	0 to 15 psi	3	0.2
090	0 to 30 psi	5	0.5
100	0 to 60 psi	10	1
110	0 to 100 psi	10	1
120	0 to 160 psi	20	2
130	0 to 200 psi	20	2
140	0 to 300 psi	50	5
150	0 to 400 psi	50	5
160	0 to 600 psi	100	10
180	0 to 1000 psi	100	20
190	0 to 1500 psi	300	20
200	0 to 2000 psi	300	20
210	0 to 3000 psi	500	50
220	0 to 5000 psi	1000	100

For dual scale ranges specify the appropriate **Units of Measure: D** (psi/kPa) followed by the corresponding **A** (psi) **Range Code**