

# 800LFB

Liquid Filled • Plastic Case



UTILITY GAUGES

800LFB shown

- ▶ 2", 2 1/2", 3 1/2" Dial Sizes
- ▶ ±1.6% Accuracy (2", 2 1/2")
- ▶ ±1.0% Accuracy (3 1/2")
- ▶ Liquid Filled

The Trerice **800LFB** Utility Gauge is designed to meet the needs of general industrial applications. The gauge features a rugged, plastic, liquid filled case to withstand minor vibration and pulsation conditions. Wetted parts are bronze tube with brass socket.

- Optional features and case style variations available: Please consult the Options & Accessories Section for details.
- For correct use and application of all pressure gauges, please refer to: Pressure Gauge Standard ASME B40.100.

## Specifications

|                                    |  |
|------------------------------------|--|
| <b>Model</b>                       | 800LFB (liquid filled)   |
| <b>Dial Sizes</b>                  | 2", 2 1/2", 3 1/2"   |
| <b>Wetted Parts</b>                | Bronze tube, brass socket  |
| <b>Fill</b>                        | Glycerine, other fills available<br>See Optional Features Section  |
| <b>Movement</b>                    | Brass  |
| <b>Connection</b>                  | Lower male or center back male<br>1/8 or 1/4 NPT   |
| <b>Case</b>                        | 2", 2 1/2" Dial Size: ABS plastic, stem-mounted flangeless<br><br>3 1/2" Dial Size: Nylon, stem-mounted flangeless             |
| <b>Ring</b>                        | Crimped aluminum, black finished   |
| <b>Window</b>                      | Styrene-acrylonitrile  |
| <b>Pointer</b>                     | Plain, black finish  |
| <b>Dial Face</b>                   | Aluminum, white background with black graduations and markings   |
| <b>Accuracy</b>                    | 2", 2 1/2" Dial Size:<br>±1.6% Full Scale<br><br>3 1/2" Dial Size:<br>±1.0% Full Scale, ASME B40.100 Grade 1A                  |
| <b>Maximum Temperature</b>         | 150°F (65°C)   |
| <b>Approximate Shipping Weight</b> | 2" Dial Size:<br>0.4 lbs [0.18 kg]<br><br>2 1/2" Dial Size:<br>0.5 lbs [0.23 kg]<br><br>3 1/2" Dial Size:<br>1.0 lbs [0.45 kg] |

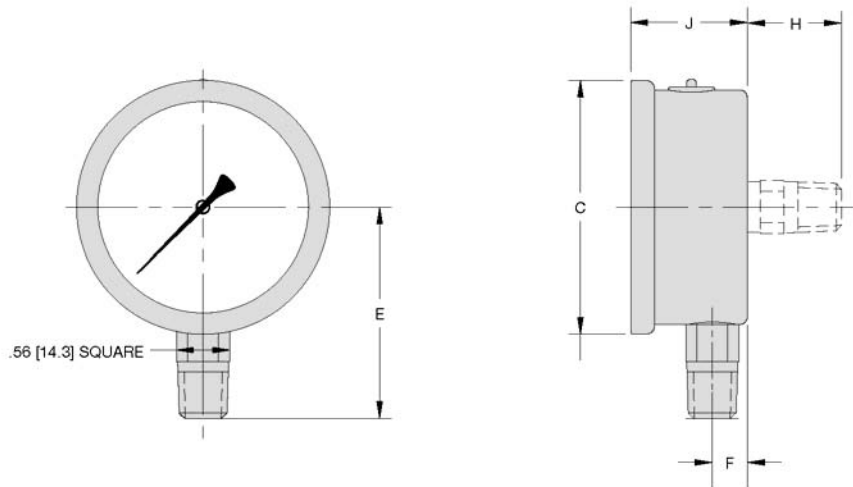
## HOW TO ORDER

Sample Order Number: **800LFB 25 02 L A 110**

| Model  | Dial Size | Connection Size | Connection Location | Units of Measure | Range Code          |
|--------|-----------|-----------------|---------------------|------------------|---------------------|
| 800LFB | 20 2"     | 01 1/8 NPT*     | L Lower             | A psi            | See Standard Ranges |
|        | 25 2 1/2" | 02 1/4 NPT      | B Back              | D psi/kPa        |                     |
|        | 35 3 1/2" |                 |                     |                  |                     |

\* 1/8 NPT connection size not available with 3 1/2" dial size.

All dimensions are nominal. Dimensions in [ ] are in millimeters.



| Dial Size | C           | E           | F           | H           | J           |
|-----------|-------------|-------------|-------------|-------------|-------------|
| 2"        | 2.09 [53.1] | 1.91 [48.5] | 0.48 [12.2] | 0.98 [24.9] | 1.24 [31.2] |
| 2 1/2"    | 2.67 [67.8] | 2.19 [55.5] | 0.39 [10.0] | 0.99 [25.1] | 1.26 [32.5] |
| 3 1/2"    | 4.23 [107]  | 2.87 [73.0] | 0.48 [12.2] | 1.06 [27]   | 1.41 [36.0] |

### Standard Ranges

| psi Ranges (A) |                   |                      |                 |                  |                 |
|----------------|-------------------|----------------------|-----------------|------------------|-----------------|
| Range Code     | Specific Range    | 2 & 2 1/2" Dial Size |                 | 3 1/2" Dial Size |                 |
|                |                   | Figure Intervals     | Minor Divisions | Figure Intervals | Minor Divisions |
| 010            | 30" Hg to 0       | 5                    | 1               | 5                | 0.5             |
| 020            | 30" Hg to 15 psi  | 10/3                 | 2/0.5           | 10/5             | 0.5/0.5         |
| 030            | 30" Hg to 30 psi  | 10/5                 | 2/1             | 10/5             | 1/1             |
| 040            | 30" Hg to 60 psi  | 10/10                | 5/2             | 10/10            | 2/1             |
| 050            | 30" Hg to 100 psi | 30/10                | 5/2             | 30/20            | 2/2             |
| 060            | 30" Hg to 150 psi | 30/30                | 5/5             | 30/20            | 5/2             |
| 070            | 30" Hg to 300 psi | 30/30                | 5/10            | 30/50            | 5/5             |
| 080            | 0 to 15 psi       | 3                    | 0.5             | 3                | 0.2             |
| 090            | 0 to 30 psi       | 5                    | 1               | 5                | 0.5             |
| 100            | 0 to 60 psi       | 10                   | 2               | 10               | 1               |
| 110            | 0 to 100 psi      | 10                   | 2               | 10               | 2               |
| 120            | 0 to 160 psi      | 20                   | 2               | 20               | 2               |
| 130            | 0 to 200 psi      | 20                   | 4               | 20               | 2               |
| 140            | 0 to 300 psi      | 50                   | 10              | 50               | 5               |
| 150            | 0 to 400 psi      | 50                   | 10              | 50               | 5               |
| 160            | 0 to 600 psi      | 100                  | 20              | 100              | 10              |
| 180            | 0 to 1000 psi     | 100                  | 20              | 100              | 20              |
| 190            | 0 to 1500 psi     | 300                  | 50              | 300              | 20              |
| 200            | 0 to 2000 psi     | 200                  | 40              | 200              | 20              |
| 210            | 0 to 3000 psi     | 500                  | 100             | 500              | 50              |
| 220            | 0 to 5000 psi     | 500                  | 100             | 1000             | 100             |

For dual scale ranges specify the appropriate **Units of Measure: D (psi/kPa)** followed by the corresponding **A (psi) Range Code**