

766SS

Low Pressure Gauge • Stainless Steel Case

SPECIALTY GAUGES



766SS shown



- ▶ 2 1/2", 4", 6" Dial Sizes
- ▶ ±1.6% Accuracy (2 1/2", 4")
- ▶ ±2.0% Accuracy (6")
- ▶ Stainless Steel Case

The Trerice **766SS Series** Low Pressure Gauge is designed to accurately measure extreme low pressure conditions. This pressure gauge employs a diaphragm capsule sensing element to measure the low pressure. Case material and wetted parts are stainless steel.

- Optional features and case style variations available: Please consult the Options & Accessories Section for details.
- For correct use and application of all pressure gauges, please refer to: Pressure Gauge Standard ASME B40.100.

Specifications

Model	766SS
Dial Sizes	2 1/2", 4", 6"
Wetted Parts	316L stainless steel diaphragm capsule, 316 stainless steel socket
Movement	316 Stainless Steel
Connection	Lower male or center back male, 1/4 or 1/2 NPT
Case	304 stainless steel, satin finished, stem-mounted flangeless
Ring	Bayonet type, 304 stainless steel
Window	Clear glass
Pointer	Plain, black finished
Dial Face	Aluminum, white background with black graduations and markings
Accuracy	2 1/2" Dial Size: ±1.6% Full Scale 4" Dial Size: ±1.6% Full Scale 6" Dial Size: ±2.0% Full Scale

Maximum Temperature
212°F (100°C)

Approximate Shipping Weight

- 2 1/2" Dial Size:
0.3 lbs [0.14 kg]
- 4" Dial Size:
1.4 lbs [0.64 kg]
- 6" Dial Size:
1.9 lbs [0.86 kg]

HOW TO ORDER

Sample Order Number: **766SS 40 02 L W 600**

Model	Dial Size	Connection Size	Connection Location	Units of Measure	Range Code
766SS	25 2 1/2" 40 4" 60 6"	02 1/4 NPT 04 1/2 NPT*	L Lower B Back	T Pressure W Vacuum	See Standard Ranges

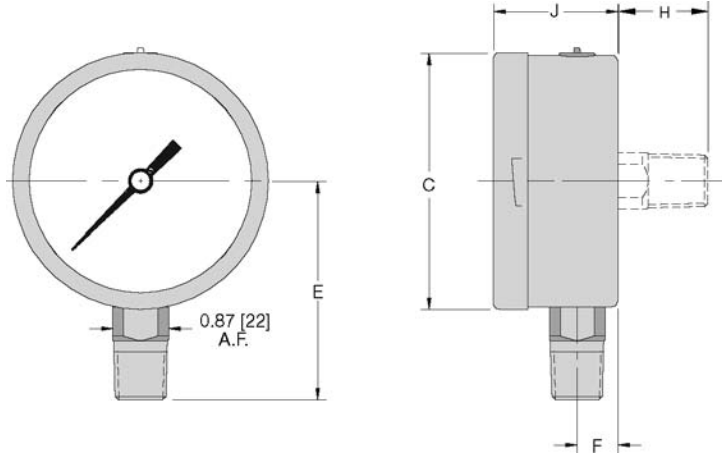
* Not available with 2 1/2" dial size.

766SS

All dimensions are nominal. Dimensions in [] are in millimeters.

Low Pressure Gauge • Stainless Steel Case

SPECIALTY GAUGES



Dial Size	C	E	F	H	J
2 1/2"	2.48 [63]	2.09 [53]	0.43 [11]	1.06 [27]	1.46 [37]
4"	3.98 [101]	3.43 [87]	0.63 [16]	1.38 [35]	1.93 [49]
6"	6.34 [161]	4.76 [121]	0.69 [18]	1.38 [35]	1.97 [50]

Standard Ranges*

Pressure (T)			
Range Code	Specific Range	Figure Intervals	Minor Divisions
645	0/10 in. H ₂ O	1	0.1
650	0/15 in. H ₂ O	5	0.2
660	0/30 in. H ₂ O	5	0.5
670	0/60 in. H ₂ O	10	1
680	0/100 in. H ₂ O	10	1
690	0/160 in. H ₂ O	20	2
700	0/200 in. H ₂ O	20	2
720	0/300 in. H ₂ O	50	5
652	0/10 oz./in. ²	1	0.1
655	0/15 oz./in. ²	5	0.2
662	0/20 oz./in. ² & 0/34 in.H ₂ O	5	1
667	0/30 oz./in. ²	5	0.5
675	0/60 oz./in. ²	10	1
695	0/100 oz./in. ²	10	1
725	0/160 oz./in. ²	20	2
750	0/250 oz./in. ²	50	5
675	0/3 psi	0.5	0.05
685	0/5 psi	1	0.1
715	0/10 psi	1	0.1

Standard Ranges*

Vacuum (W)			
Range Code	Specific Range	Figure Intervals	Minor Divisions
580	15/0 in. H ₂ O	5	0.2
600	30/0 in. H ₂ O	5	0.5
610	60/0 in. H ₂ O	10	1
620	100/0 in. H ₂ O	10	1
635	200/0 in. H ₂ O	20	2
595	15/0 oz./in. ²	5	0.2
605	30/0 oz./in. ²	5	0.5
620	60/0 oz./in. ²	10	1
633	100/0 oz./in. ²	10	1

* Compound ranges are also available. Please consult factory.