

620B

Stainless Steel Case

COMMERCIAL • CONTRACTOR GAUGES



620B shown



- ▶ 4 1/2" Dial Size
- ▶ ±1.0% Accuracy
- ▶ Stainless Steel Case
- ▶ Recalibrator Screw

The **620B** Trerice Contractor Gauge is designed to service the general pressure measurement requirements of the construction industry. The 620B offers high reliability at an economic price. This gauge features a corrosion resistant, stainless steel case and acrylic window. Wetted parts are brass.

- For correct use and application of all pressure gauges, please refer to: Pressure Gauge Standard ASME B40.100.

Specifications

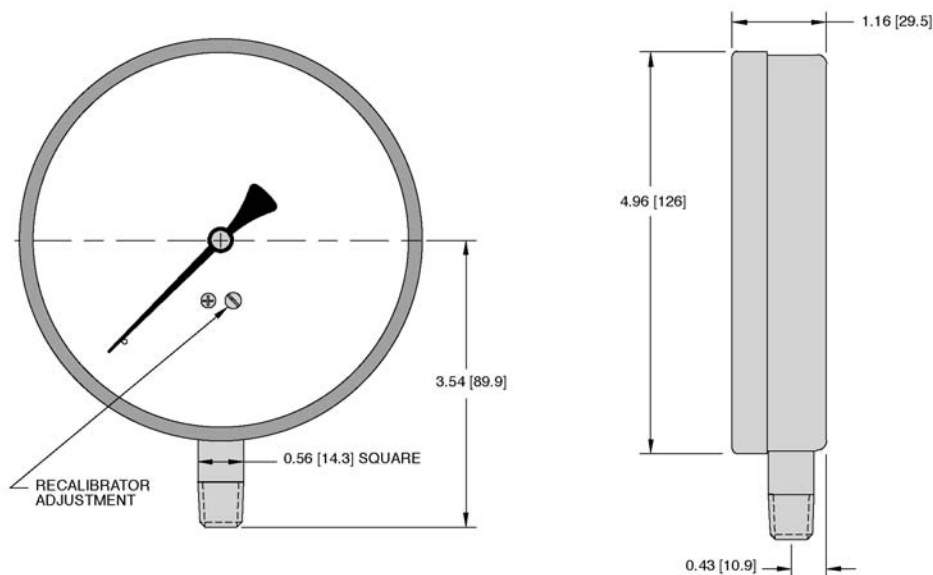
Model	620B
Dial Size	4 1/2"
Wetted Parts	Brass tube & socket
Movement	Brass
Connection	Lower male, 1/4 NPT
Case	304 stainless steel, stem-mounted flangeless
Ring	Friction type, 304 stainless steel
Window	Acrylic
Pointer	Plain, black finished
Dial Face	Aluminum, white background with black graduations and markings
Accuracy	±1.0% Full Scale, ASME B40.100 Grade 1A
Maximum Temperature	250°F (121°C)
Approximate Shipping Weight	0.8 lbs [0.36 kg]

HOW TO ORDER

Sample Order Number: **620B 45 02 L D 140**

Model	Dial Size	Connection Size	Connection Location	Units of Measure	Range Code
620B	45 4 1/2"	02 1/4 NPT	L Lower	A psi D psi/kPa	See Standard Ranges

All dimensions are nominal. Dimensions in [] are in millimeters.



Standard Ranges

psi Ranges (A)				psi/kPa Ranges (D)					
Range Code	Specific Range (psi)	Figure Intervals	Minor Divisions	Range Code	Specific Range	psi		kPa	
						Figure Intervals	Minor Divisions	Figure Intervals	Minor Divisions
010	30" Hg to 0	5	0.2	010	30" Hg to 0 / -100 to 0 kPa	5	0.2	10	1
020	30" Hg to 15 psi	5/5	0.5/0.2	020	30" Hg to 15 psi / -100 to 100 kPa	5/5	0.5/0.2	20	2
030	30" Hg to 30 psi	10/5	1/0.5	030	30" Hg to 30 psi / -100 to 200 kPa	10/5	1/0.5	50	2
040	30" Hg to 60 psi	10/10	1/1	040	30" Hg to 60 psi / -100 to 400 kPa	10/10	1/1	50	5
050	30" Hg to 100 psi	30/10	2/1	050	30" Hg to 100 psi / -100 to 700 kPa	30/10	2/1	100	5
060	30" Hg to 150 psi	30/20	5/2	060	30" Hg to 150 psi / -100 to 1000 kPa	30/20	5/2	100	10
070	30" Hg to 300 psi	30/50	5/2	070	30" Hg to 300 psi / -100 to 2000 kPa	30/50	5/2	200	20
080	0 to 15 psi	3	0.1	080	0 to 15 psi / 0 to 100 kPa	3	0.1	10	1
090	0 to 30 psi	5	0.2	090	0 to 30 psi / 0 to 200 kPa	5	0.2	20	2
100	0 to 60 psi	10	0.5	100	0 to 60 psi / 0 to 400 kPa	10	0.5	50	5
110	0 to 100 psi	10	1	110	0 to 100 psi / 0 to 700 kPa	10	1	100	5
120	0 to 160 psi	20	1	120	0 to 160 psi / 0 to 1100 kPa	20	1	200	10
130	0 to 200 psi	20	2	130	0 to 200 psi / 0 to 1400 kPa	20	2	300	10
140	0 to 300 psi	50	2	140	0 to 300 psi / 0 to 2000 kPa	50	2	200	20
150	0 to 400 psi	50	5	150	0 to 400 psi / 0 to 2800 kPa	50	5	300	50
160	0 to 600 psi	50	5	160	0 to 600 psi / 0 to 4000 kPa	50	5	500	50