

Economy Bimetal

BIMETAL THERMOMETERS



- ▶ 2 1/2" and 4" Dial Sizes
- ▶ With Recalibration
- ▶ Multiple Connections

PEB130 Shown

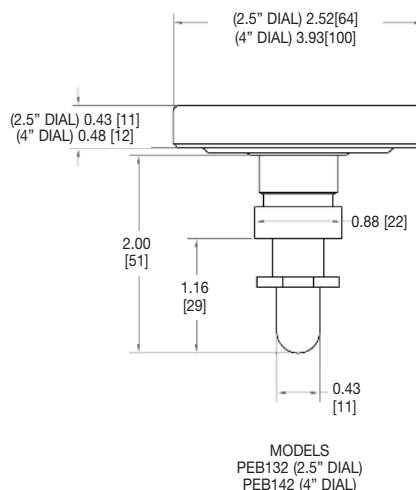
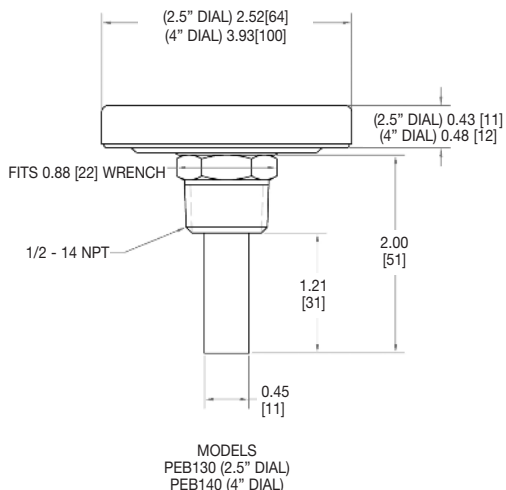
The **Trerice "Econo-Met"** thermometer is both an accurate and cost effective way to measure hot water in hydronic systems. The 2" stem make this the ideal instrument where there are space restrictions. An included 1/2 NPT brass thermowell or brass sweatwell for 3/4 tee provide alternate means of installation.

Specifications

Models	Dial Size	Connections
PEB130	2 1/2"	1/2 NPT Brass Thermowell
PEB140	4"	
PEB132	2 1/2"	Brass Sweatwell for 3/4 tee
PEB142	4"	

Case	Zinc plated steel
Ring	304 stainless steel
Stem	Brass, 9mm diameter
Coil	Bimetallic
Connection	1/2 NPT brass thermowell or brass sweatwell for 3/4 tee
Window	Glass, hermetically sealed
Pointer	Aluminum, Black Painted
Dial Face	Aluminum, white background with black & red graduations and markings
External Reset	Yes
Accuracy	2% Full Scale
Approximate Shipping Weight	0.3 lbs [0.14 kg]

Part Number	Dial Size	Connection	Range
PEB13027	2 1/2" (63mm)	1/2 NPT Brass Thermowell	0° to 250° F/C
PEB14027	4" (100mm)	1/2 NPT Brass Thermowell	0° to 250° F/C
PEB13227	2 1/2" (63mm)	Brass Sweatwell for 3/4 tee	0° to 250° F/C
PEB14227	4" (100mm)	Brass Sweatwell for 3/4 tee	0° to 250° F/C



All dimensions are nominal.
Dimensions in [] are in millimeters.