

CAST IRON

All dimensions are nominal. Dimensions in [] are in millimeters.

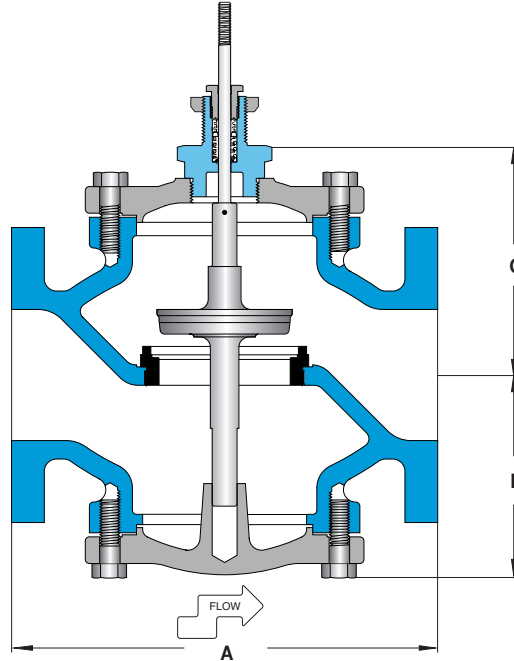


Valve Body Selection

(for 940E Series Electric Motor Control Valve)

Single Seat • 2 1/2" – 5"

Stem In-To-Close



CONTROL VALVES

Size	Class 125			Class 250		
	A	B	C	A	B	C
2 1/2"	9.0 [229]	4.6 [117]	5.5 [140]	9.6 [244]	4.6 [117]	5.5 [140]
3"	10.0 [254]	5.3 [135]	6.1 [155]	10.8 [274]	5.3 [135]	6.1 [155]
4"	13.0 [330]	6.2 [157]	7.1 [180]	13.6 [345]	6.2 [157]	7.1 [180]
5"	15.8 [401]	5.6 [142]	7.8 [198]	16.6 [422]	5.6 [142]	7.8 [198]

Specifications

Body Material	Trim Material	Trim Style	Connection	Pressure & Temperature Rating
Cast-iron	Stainless steel	Equal percentage	Class 125 flanged Class 250 flanged	140 PSI @ 300°F (149°C) 310 PSI @ 300°F (149°C)

Valve Body Selection

In-To-Close					Maximum Close-Off Pressure (psid)		Approximate Shipping Wt.	
Valve Body Number		Connection (Flanged)	Size Nominal Port	C _v	Actuator Size 26		Class 125	Class 250
Class 125	Class 250				Class III	Class IV		
K71	L71	2 1/2	2 1/2"	65	71	55	55 lbs [24.9 kg]	64 lbs [29.0 kg]
K76	L76	3	3"	90	47	34	72 lbs [32.7 kg]	77 lbs [34.9 kg]
K81	L81	4	4"	170	Consult Factory		119 lbs [54.0 kg]	131 lbs [59.4 kg]
K86	L86	5	5"	280	Consult Factory		134 lbs [60.8 kg]	166 lbs [75.3 kg]