

# Valve Body Selection

(for 91600 Fail Safe Temperature Regulators)

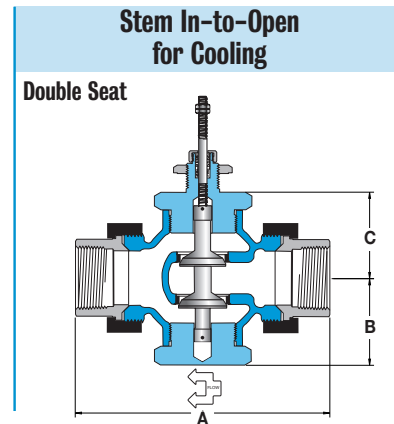
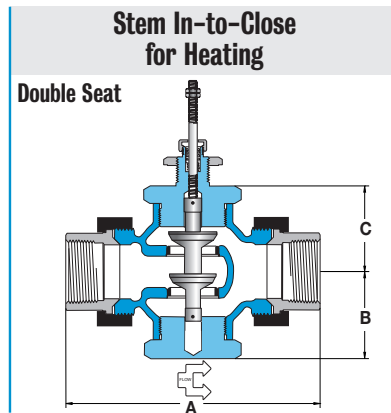
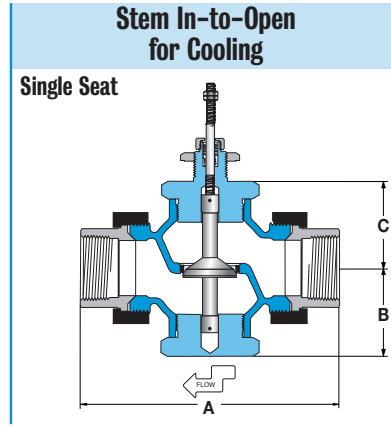
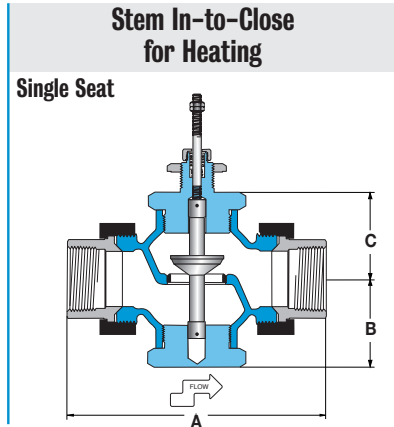
# BRONZE

Double Seat • 1/2" – 2"



All dimensions are nominal. Dimensions in [ ] are in millimeters.

TEMPERATURE REGULATORS



## Specifications

| Body Material | Trim Material   | Trim Style      | Connection                          | Pressure & Temperature Rating |
|---------------|-----------------|-----------------|-------------------------------------|-------------------------------|
| Bronze        | Stainless steel | Modified linear | Threaded, malleable iron union ends | 250 PSI @ 410°F (210°C)       |

## Valve Body Selection

| Valve Body Number      |                       | Size             |              | No. of Seats | Effective**<br>Cv | Max. Close-Off<br>Pressure (psid) | Dimensions |          |          | Approximate<br>Shipping Wt. |
|------------------------|-----------------------|------------------|--------------|--------------|-------------------|-----------------------------------|------------|----------|----------|-----------------------------|
| In-To-Close<br>Heating | In-To-Open<br>Cooling | Connection (NPT) | Nominal Port |              |                   |                                   | A          | B        | C        |                             |
| A02                    | A03                   | 1/2 *            | 1/8"         | 1            | 0.12              | 250                               | 4.8 [122]  | 1.8 [46] | 1.8 [46] | 3.0 lbs [1.35 kg]           |
| A05                    | A06                   | 1/2 *            | 3/16"        | 1            | 0.25              | 250                               | 4.8 [122]  | 1.8 [46] | 1.8 [46] | 3.0 lbs [1.35 kg]           |
| A08                    | A09                   | 1/2 *            | 1/4"         | 1            | 0.5               | 250                               | 4.8 [122]  | 1.8 [46] | 1.8 [46] | 3.0 lbs [1.35 kg]           |
| A11                    | A12                   | 1/2 *            | 3/8"         | 1            | 1.0               | 150                               | 4.8 [122]  | 1.8 [46] | 1.8 [46] | 3.0 lbs [1.35 kg]           |
| A14                    | A15                   | 1/2 *            | 1/2"         | 1            | 2.0               | 100                               | 4.8 [122]  | 1.8 [46] | 1.8 [46] | 3.0 lbs [1.35 kg]           |
| A21                    | A24                   | 3/4              | 3/4"         | 2            | 5.6               | 250                               | 5.6 [142]  | 2.3 [58] | 2.3 [58] | 5.0 lbs [2.25 kg]           |
| A29                    | A33                   | 1                | 1"           | 2            | 8.4               | 200                               | 6.0 [152]  | 2.3 [58] | 2.3 [58] | 6.1 lbs [2.75 kg]           |
| A39                    | A44                   | 1 1/4            | 1 1/4"       | 2            | 15                | 175                               | 7.2 [183]  | 2.6 [66] | 2.6 [66] | 10.1 lbs [4.55 kg]          |
| A50                    | A55                   | 1 1/2            | 1 1/2"       | 2            | 21                | 150                               | 7.7 [196]  | 2.6 [66] | 2.6 [66] | 11.1 lbs [5.00 kg]          |
| A61                    | A66                   | 2                | 2"           | 2            | 33                | 100                               | 7.6 [218]  | 3.1 [79] | 3.1 [79] | 17.0 lbs [7.65 kg]          |

\* 1/2" Single Seat, \*\*The 91600 Safety Actuator has a reduced valve stroke, resulting in a reduced effective Cv as shown.