

CAST IRON

Valve Body Selection

(for 940 Series Heavy Duty Control Valve)

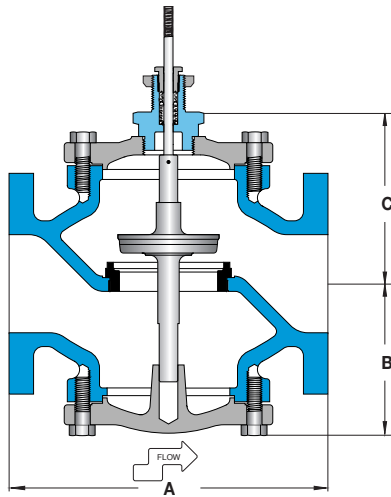
All dimensions are nominal. Dimensions in [] are in millimeters.



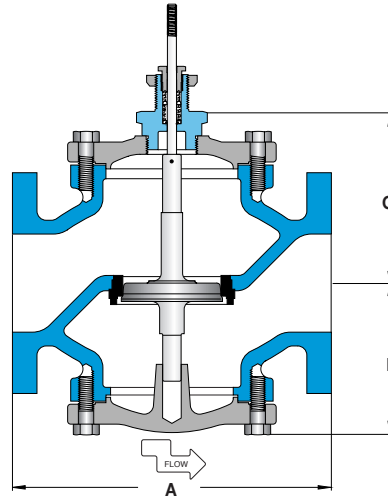
Single Seat • 2 1/2" – 8"

CONTROL VALVES

Stem In-to-Close (normally open)



Stem In-to-Open (normally closed)



Size	Class 125			Class 250		
	A	B	C	A	B	C
2 1/2"	9.0 [229]	4.9 [124]	5.5 [140]	9.6 [244]	4.9 [124]	5.5 [140]
3"	10.0 [254]	5.5 [140]	6.9 [175]	10.8 [274]	5.5 [140]	6.9 [175]
4"	13.0 [330]	6.4 [163]	7.1 [180]	13.6 [345]	6.4 [163]	7.1 [180]
5"	15.8 [401]	5.8 [147]	7.8 [198]	16.6 [422]	5.8 [147]	7.8 [198]
6"	17.8 [452]	6.5 [165]	8.4 [213]	18.6 [472]	6.5 [165]	8.4 [213]
8"	16.3 [414]	8.1 [206]	8.6 [218]	16.3 [414]	8.1 [206]	8.6 [218]

Specifications

Body Material	Trim Material	Trim Style	Connection	Pressure & Temperature Rating
Cast-iron	Stainless steel	Equal percentage	Class 125 flanged Class 250 flanged	125 PSI @ 350°F (176°C) 250 PSI @ 400°F (204°C)

Valve Body Selection

In-To-Close (Normally Open)				Maximum Close-Off Pressure (psid)				Approximate Shipping Wt.
Valve Body Number		Size	C _v	Actuator				
Class 125	Class 250			940B	940B w/Positioner	940C	940C w/Positioner	
K71	L71	2 1/2"	65	50	142	91	231	50 lbs [23 kg]
K76	L76	3"	90	33	96	61	158	95 lbs [43 kg]
K81	L81	4"	170	16	52	32	87	130 lbs [59 kg]
K86	L86	5"	280	9	31	19	54	150 lbs [68 kg]
K91	L91	6"	360	5	21	12	36	175 lbs [79 kg]
K96	L96	8"	450	x	x	11	35	300 lbs [136 kg]

In-To-Open (Normally Closed)				Maximum Close-Off Pressure (psid)				Approximate Shipping Wt.
Valve Body Number		Size	C _v	Actuator				
Class 125	Class 250			940B	940B w/Positioner	940C	940C w/Positioner	
K72	L72	2 1/2"	65	x	111	44	185	50 lbs [23 kg]
K77	L77	3"	90	x	122	28	126	95 lbs [43 kg]
K82	L82	4"	170	x	40	13	68	130 lbs [59 kg]
K87	L87	5"	280	x	24	7	42	150 lbs [68 kg]
K92	L92	6"	360	x	15	4	28	175 lbs [79 kg]
K97	L97	8"	450	x	x	3	27	300 lbs [136kg]