

Valve Body Selection

(for 940 Series Heavy Duty Control Valve)

BRONZE

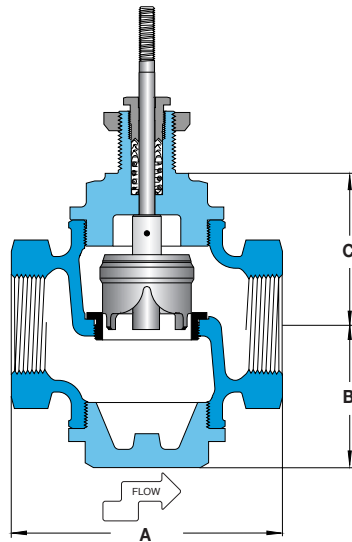
Single Seat • 1/2" – 2"



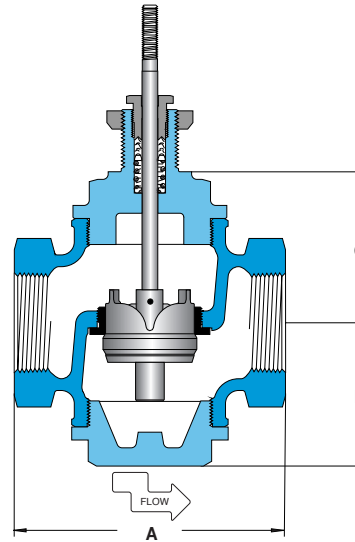
All dimensions are nominal. Dimensions in [] are in millimeters.

CONTROL VALVES

Stem In-to-Close (normally open)



Stem In-to-Open (normally closed)



Specifications

Body Material	Trim Material	Trim Style	Connection	Pressure & Temperature Rating
Bronze	Stainless steel	Equal percentage	Threaded	250 PSI @ 400°F (204°C)

Valve Body Selection

In-To-Close (Normally Open)				Maximum Close-Off Pressure (psid)		Dimensions			Approximate Shipping Wt.
Valve Body Number	Size		C _v	940B	940B w/Positioner	A	B	C	
	Connection (NPT)	Nominal Port							
J14	1/2	1/2"	4.9	400	400	4.9 [124]	2.9 [74]	2.9 [74]	10 lbs [4.5 kg]
J19	3/4	3/4"	7.2	400	400	4.9 [124]	2.9 [74]	2.9 [74]	10 lbs [4.5 kg]
J26	1	1"	10.0	291	400	4.9 [124]	2.9 [74]	2.9 [74]	10 lbs [4.5 kg]
J36	1 1/4	1 1/4"	22.2	123	327	5.8 [147]	3.3 [84]	3.5 [89]	16 lbs [7.3 kg]
J47	1 1/2	1 1/2"	24	123	327	5.8 [147]	3.3 [84]	3.5 [89]	16 lbs [7.3 kg]
J58	2	2"	40	73	200	6.5 [165]	3.6 [91]	3.8 [97]	25 lbs [11.3 kg]

In-To-Open (Normally Closed)				Maximum Close-Off Pressure (psid)		Dimensions			Approximate Shipping Wt.
Valve Body Number	Size		C _v	940B	940B w/Positioner	A	B	C	
	Connection (NPT)	Nominal Port							
J15	1/2	1/2"	4.9	245	400	4.9 [124]	2.9 [74]	2.9 [74]	10 lbs [4.5 kg]
J22	3/4	3/4"	7.2	245	400	4.9 [124]	2.9 [74]	2.9 [74]	10 lbs [4.5 kg]
J30	1	1"	10.0	140	400	4.9 [124]	2.9 [74]	2.9 [74]	10 lbs [4.5 kg]
J41	1 1/4	1 1/4"	22.2	55	259	5.8 [147]	3.3 [84]	3.5 [89]	16 lbs [7.3 kg]
J52	1 1/2	1 1/2"	24	55	259	5.8 [147]	3.3 [84]	3.5 [89]	16 lbs [7.3 kg]
J63	2	2"	40	30	157	6.5 [165]	3.6 [91]	3.8 [97]	25 lbs [11.3 kg]