

Valve Body Selection

(for 910TB Control Valve)

BRONZE

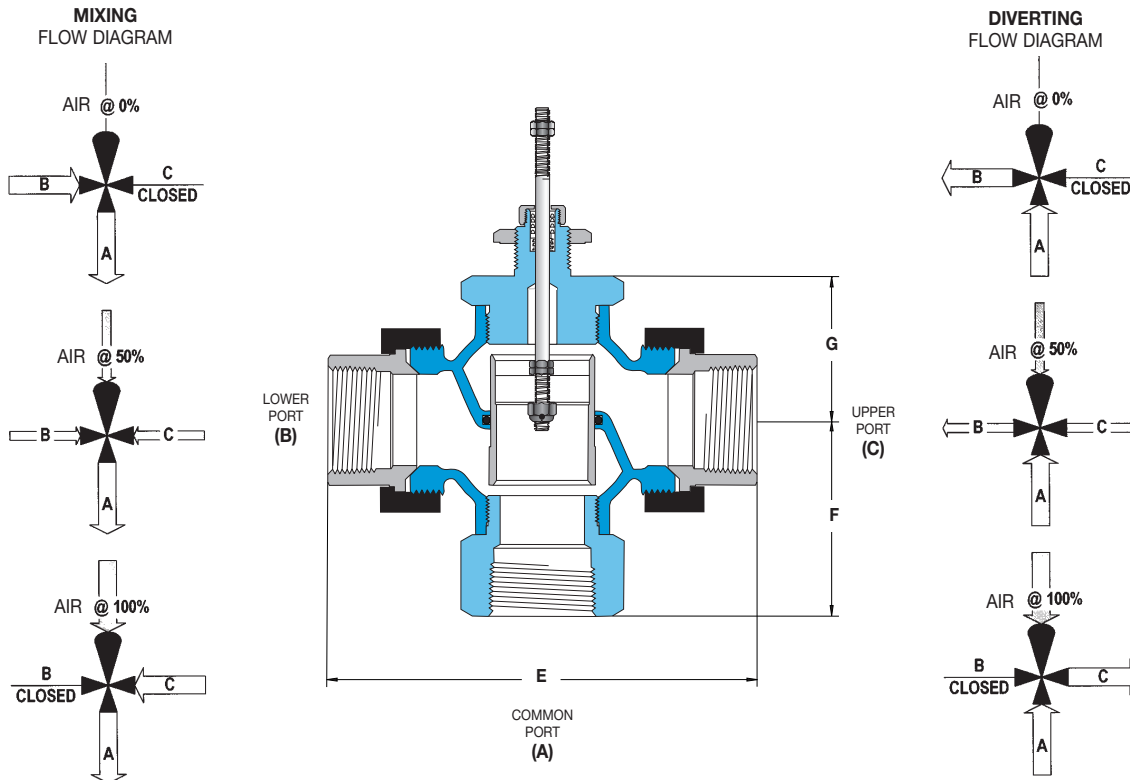
3-WAY • 1/2" – 2"



All dimensions are nominal. Dimensions in [] are in millimeters.

CONTROL VALVES

for Mixing or Diverting



Trerice 3-Way Valves are not designed for use in steam applications.
To properly control the mixing of two flows, inlet pressures at ports B and C should be as equal as possible.

Specifications

| Body Material | Trim Material | Trim Style | Connection | Pressure & Temperature Rating |
|---------------|---------------|-----------------|-------------------------------------|-------------------------------|
| Bronze | Bronze | Modified linear | Threaded, malleable iron union ends | 250 PSI @ 300°F (149°C) |

Valve Body Selection

| Mixing or Diverting | | | | Maximum Close-Off Pressure (psid) | | | Approximate Shipping Wt. | |
|---------------------|------------------|--------------|----------------|-----------------------------------|------------|-----------|--------------------------|--------------------|
| Valve Body Number | Size | | C _v | Actuator 910TB | Dimensions | | | |
| | Connection (NPT) | Nominal Port | | | E | F | G | |
| A18 | 1/2 | 1/2" | 2.8 | 250 | 4.8 [122] | 1.8 [46] | 1.8 [46] | 2.9 lbs [1.31 kg] |
| A25 | 3/4 | 3/4" | 5.6 | 250 | 5.6 [142] | 2.3 [58] | 2.3 [58] | 4.7 lbs [2.12 kg] |
| A34 | 1 | 1" | 8.4 | 250 | 6.0 [152] | 2.3 [58] | 2.3 [58] | 5.7 lbs [2.57 kg] |
| A45 | 1 1/4 | 1 1/4" | 15 | 250 | 7.2 [183] | 2.8 [71] | 2.6 [66] | 9.5 lbs [4.28 kg] |
| A56 | 1 1/2 | 1 1/2" | 21 | 250 | 7.7 [196] | 3.5 [89] | 2.6 [66] | 11.1 lbs [5.00 kg] |
| A67 | 2 | 2" | 33 | 250 | 8.6 [218] | 4.1 [104] | 3.1 [79] | 16.7 lbs [7.55 kg] |