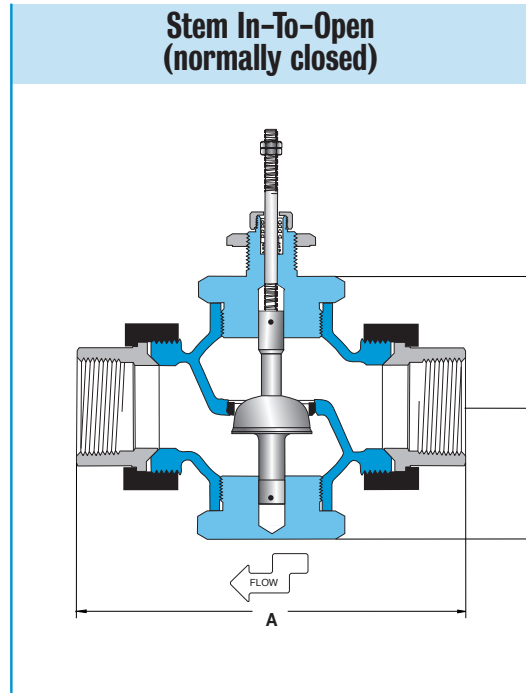
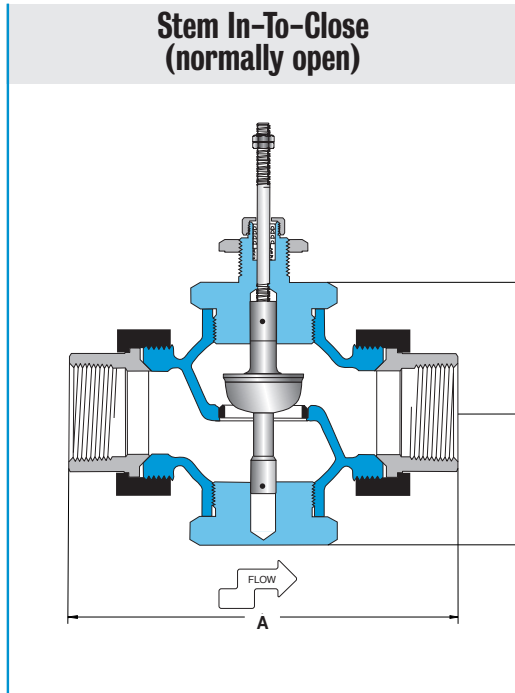


BRONZE

Valve Body Selection (for 910EPA & 910EPC Control Valve)

Single Seat • 1/2" – 2"

All dimensions are nominal. Dimensions in [] are in millimeters.



CONTROL VALVES

Specifications

| Body Material | Trim Material | Trim Style | Connection Pressure & Temperature Rating | |
|---------------|-----------------|------------------|--|-------------------------|
| Bronze | Stainless steel | Equal percentage | Threaded, malleable iron union ends | 250 PSI @ 410°F (210°C) |

Valve Body Selection

| In-To-Close (Normally Open) | | | | Maximum Close-Off Pressure (psid) | | Dimensions | | | Approximate Shipping Wt. |
|-----------------------------|------------------|--------------|----------------|-----------------------------------|--------|------------|----------|----------|--------------------------|
| Valve Body Number | Size | | C _v | Actuator | | A | B | C | |
| | Connection (NPT) | Nominal Port | | 910EPA | 910EPC | | | | |
| E14 | 1/2 | 1/2" | 2.8 | x | 250 | 4.8 [122] | 1.8 [46] | 1.8 [46] | 3.0 lbs [1.35 kg] |
| E19 | 3/4 | 3/4" | 5.6 | x | 250 | 5.6 [142] | 2.3 [58] | 2.3 [58] | 4.9 lbs [2.21 kg] |
| E26 | 1 | 1" | 8.4 | x | 200 | 6.0 [152] | 2.3 [58] | 2.3 [58] | 6.0 lbs [2.70 kg] |
| E36 | 1 1/4 | 1 1/4" | 15 | x | 150 | 7.2 [183] | 2.6 [66] | 2.6 [66] | 9.7 lbs [4.37 kg] |
| E47 | 1 1/2 | 1 1/2" | 21 | x | 100 | 7.7 [196] | 2.6 [66] | 2.6 [66] | 10.8 lbs [4.86 kg] |
| E58 | 2 | 2" | 33 | x | 50 | 8.6 [218] | 3.1 [79] | 3.1 [79] | 16.3 lbs [7.34 kg] |

| In-To-Open (Normally Closed) | | | | Maximum Close-Off Pressure (psid) | | Dimensions | | | Approximate Shipping Wt. |
|------------------------------|------------------|--------------|----------------|-----------------------------------|--------|------------|----------|----------|--------------------------|
| Valve Body Number | Size | | C _v | Actuator | | A | B | C | |
| | Connection (NPT) | Nominal Port | | 910EPA | 910EPC | | | | |
| E15 | 1/2 | 1/2" | 2.8 | 250 | x | 4.8 [122] | 1.8 [46] | 1.8 [46] | 3.0 lbs [1.35 kg] |
| E22 | 3/4 | 3/4" | 5.6 | 250 | x | 5.6 [142] | 2.3 [58] | 2.3 [58] | 4.9 lbs [2.21 kg] |
| E30 | 1 | 1" | 8.4 | 200 | x | 6.0 [152] | 2.3 [58] | 2.3 [58] | 6.0 lbs [2.70 kg] |
| E41 | 1 1/4 | 1 1/4" | 15 | 150 | x | 7.2 [183] | 2.6 [66] | 2.6 [66] | 9.7 lbs [4.37 kg] |
| E52 | 1 1/2 | 1 1/2" | 21 | 100 | x | 7.7 [196] | 2.6 [66] | 2.6 [66] | 10.8 lbs [4.86 kg] |
| E63 | 2 | 2" | 33 | 50 | x | 8.6 [218] | 3.1 [79] | 3.1 [79] | 16.3 lbs [7.34 kg] |