

# D80 Series

Dry or Liquid Filled • Stainless Steel Case

UTILITY GAUGES



D82LFB shown



- ▶ 1 1/2", 2", 2 1/2", 4" Dial Sizes
- ▶ ±1.6% Accuracy (1% Optional)
- ▶ Stainless Steel Case
- ▶ Glycerine Fill Standard

The Trerice **D80 Series** Industrial Gauge is designed for rugged performance requirements at an economical cost. This liquid filled gauge is furnished with a stainless steel case and crimped ring. Wetted parts are either bronze tube with brass socket or stainless steel.

- Optional features and case style variations available: Please consult the Options & Accessories Section for details.
- For correct use and application of all pressure gauges, please refer to: Pressure Gauge Standard ASME B40.100.

## Specifications

Models	Wetted Parts
<b>D82B</b>	(dry)
<b>D82LFB</b>	(liquid filled)
<b>D83SS</b>	(dry)
<b>D83LFSS</b>	(liquid filled)

**Dial Sizes** 1 1/2", 2", 2 1/2", 4"

**Fill** Glycerine, other fills available  
See Optional Features Section

**Movement** **D82:** Brass  
**D83:** 316 Stainless steel

**Connection** Lower male or center back male,  
Lower back male on 4" D83

**Case** 304 stainless steel,  
stem-mounted flangeless

**Ring** Crimped 304 stainless steel

**Window** Acrylic

**Pointer** Plain, black finished

**Dial Face** Aluminum, white background with  
black graduations and markings

**Accuracy** ±1.6% Full Scale  
(1% available as an option)

**Maximum Temperature**  
150°F (65°C)

### Approximate Shipping Weight

- 1 1/2" Dial Size:  
0.4 lbs [0.18 kg]
- 2" Dial Size:  
0.4 lbs [0.18 kg]
- 2 1/2" Dial Size:  
0.5 lbs [0.23 kg]
- 4" Dial Size:  
1.0 lbs [0.45 kg]

## HOW TO ORDER

Sample Order Number: **D82LFB 25 02 L A 110**

Model	Dial Size	Connection Size	Connection Location	Units of Measure	Range Code
<b>D82LFB</b>	15 1 1/2"	01 1/8 NPT*	L Lower	A psi	See Standard Ranges
<b>D83LFSS</b>	20 2"	02 1/4 NPT**	B Back	D psi/kPa	
<b>D82B</b>	25 2 1/2"				
<b>D83SS</b>	40 4"				

\* 1/8 NPT connection size not available with 4" dial size.

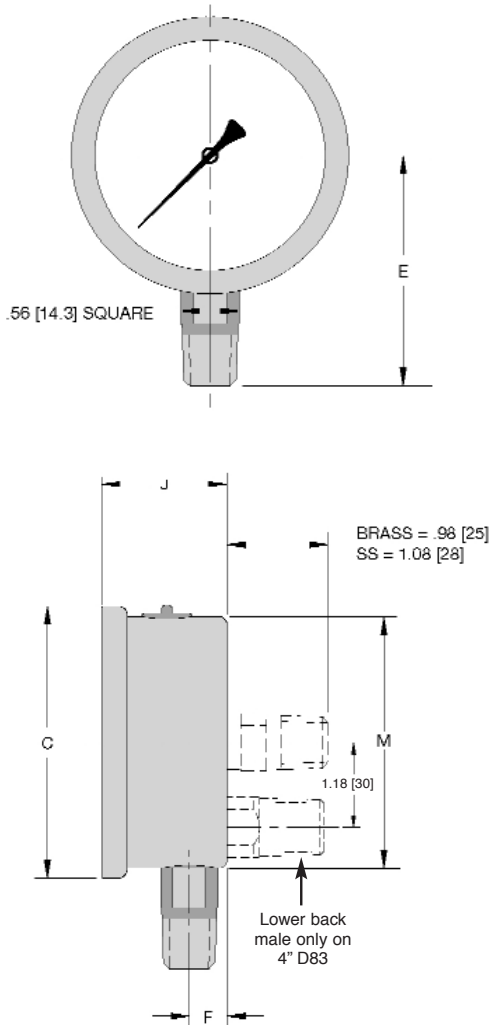
\*\* 1/4 NPT connection size not available with 1 1/2" dial size.



# D80 Series

Dry or Liquid Filled • Stainless Steel Case

All dimensions are nominal. Dimensions in [ ] are in millimeters.



## Standard Ranges

psi Ranges (A)		D82		D83	
Range Code	Specific Range (psi)	Figure Intervals	Minor Divisions	Figure Intervals	Minor Divisions
010	30" Hg to 0	5	0.5	5	0.5
020	30" Hg to 15 psi	10/5	1/0.5	10/5	1/0.5
030	30" Hg to 30 psi	10/10	2/1	10/5	2/1
040	30" Hg to 60 psi	10/10	2/2	10/10	2/1
050	30" Hg to 100 psi	30/20	2/2	30/20	5/2
060	30" Hg to 150 psi	30/30	10/5	30/30	10/5
070	30" Hg to 300 psi	30/50	10/5	30/50	10/5
080	0 to 15 psi	3	0.2	3	0.2
090	0 to 30 psi	5	0.5	5	0.5
100	0 to 60 psi	10	1	10	1
110	0 to 100 psi	20	2	10	2
120	0 to 160 psi	20	2	20	2
130	0 to 200 psi	20	2	20	2
140	0 to 300 psi	50	5	50	5
150	0 to 400 psi	50	5	50	5
160	0 to 600 psi	100	10	100	10
180	0 to 1000 psi	100	25	100	20
190	0 to 1500 psi	300	20	300	25
200	0 to 2000 psi	200	20	200	25
210	0 to 3000 psi	500	50	500	50
220	0 to 5000 psi	1000	100	1000	100

Ranges over 5000 PSI are not available on D82LFB.

230	0 to 10000 psi	N/A	N/A	2000	200
240	0 to 15000 psi	N/A	N/A	3000	200

For dual scale ranges specify the appropriate Units of Measure: D (psi/kPa) followed by the corresponding A (psi) Range Code

Dial Size	C	E	F	J	M
1 1/2" D82	1.85 [47]	1.50 [38]	0.32 [8]	1.06 [27]	1.61 [41]
1 1/2" D83	1.85 [47]	1.50 [38]	0.32 [8]	1.06 [27]	1.61 [41]
2" D82	2.28 [58]	1.89 [48]	0.39 [10]	1.14 [29]	2.05 [52]
2" D83	2.28 [58]	2.05 [52]	0.35 [9]	1.18 [30]	2.05 [52]
2 1/2" D82	2.68 [68]	2.24 [57]	0.39 [10]	1.18 [30]	2.44 [62]
2 1/2" D83	2.68 [68]	2.32 [59]	0.51 [13]	1.38 [35]	2.44 [62]
4" D82	4.29 [109]	3.07 [78]	0.47 [12]	1.42 [36]	3.90 [99]
4" D83	4.29 [109]	3.94 [100]	0.75 [19]	1.93 [49]	3.94 [100]

UTILITY GAUGES