

# 700Plus Series

## Industrial Transmitter Gauge

SPECIALTY GAUGES



703SS shown



- ▶ 4" Dial Size
- ▶ ±1.0% Accuracy
- ▶ Stainless Steel Case
- ▶ Liquid Fillable

The Trerice **700Plus Series** Transmitter Gauge is designed to provide both local and remote pressure readings through the integration of an independent pressure transmitter to the pressure gauge. This gauge has a stainless steel case and ring, and is field liquid fillable (no kit required). Wetted parts include a stainless steel tube and socket with a ceramic transmitter.

- Optional features and case style variations available: Please consult the Options & Accessories Section for details.
- For correct use and application of all pressure gauges, please refer to: Pressure Gauge Standard ASME B40.100.

### Specifications

#### Models

**703SS** (dry)  
**703LFSS** (liquid filled)

**Dial Size** 4"

#### Wetted Parts

Transmitter: Ceramic  
Gauge: 316L stainless steel tube & socket

**Fill** Mineral Oil

**Movement** Stainless Steel

#### Process Connection

Lower male or lower back male, 1/4 or 1/2 NPT

**Case** 304 Stainless steel, stem mounted flangeless

**Ring** Bayonet type, 304 stainless steel

**Window** Clear glass

**Pointer** Micro adjustable knife edge, black finished

**Dial Face** Aluminum, white background with black graduations and markings

#### Electrical Connection

Wiring cable

#### Supply Voltage

12 to 28 Vdc @ 6mA  
(15 to 28 Vdc with 0 to 10 Vdc Output Signal)

#### Output Signal

4 to 20 mA  
(load resistance maximum  $\Omega$ ) =  $\frac{V_{supply} - 12}{0.02}$

**Accuracy** Transmitter: ±0.3% Full Scale Max.

Gauge: ±1.0% Full Scale, ASME B40.100 Grade 1A

#### Maximum Temperature

212°F (100°C)

#### Approximate Shipping Weight

2.0 lbs [0.91 kg]

### HOW TO ORDER

Sample Order Number: **703SS 40 02 L 3 A 110**

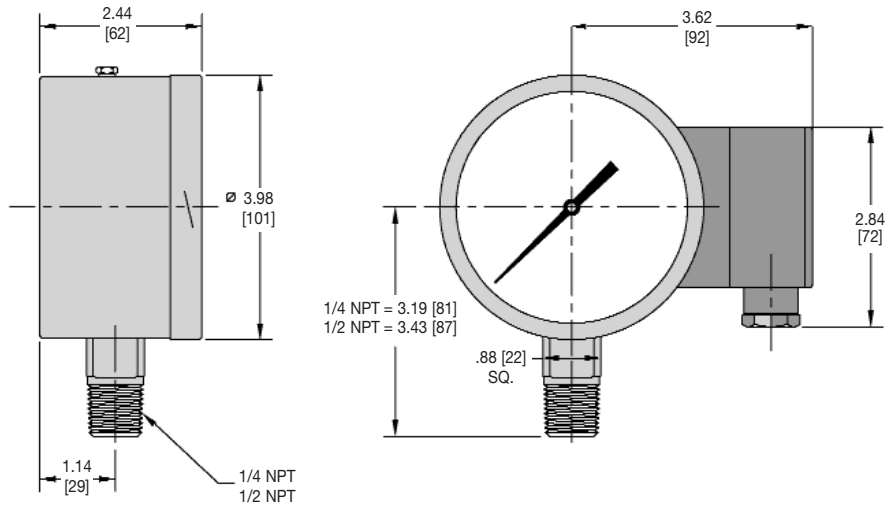
Model	Dial Size	Connection Size	Connection Location	Output Signal	Units of Measure	Range Code
703SS 703LFSS	40 4"	02 1/4 NPT 04 1/2 NPT	L Lower	3 4 to 20 mA	A psi D psi/kPa	See Standard Ranges

# 700Plus Series

## Industrial Transmitter Gauge

All dimensions are nominal. Dimensions in [ ] are in millimeters.

SPECIALTY GAUGES



### Standard Ranges

psi Ranges (A)				psi Ranges (A)			
Range Code	Specific Range	Figure Intervals	Minor Divisions	Range Code	Specific Range	Figure Intervals	Minor Divisions
010	30" Hg to 0	5	0.5	120	0 to 160 psi	20	2
020	30" Hg to 15 psi	10/5	0.5/0.5	130	0 to 200 psi	20	2
030	30" Hg to 30 psi	10/5	1/1	140	0 to 300 psi	50	5
040	30" Hg to 60 psi	10/10	2/1	150	0 to 400 psi	50	5
050	30" Hg to 100 psi	30/20	2/2	160	0 to 600 psi	100	10
060	30" Hg to 150 psi	30/20	5/2	180	0 to 1000 psi	100	20
070	30" Hg to 300 psi	30/50	5/5	190	0 to 1500 psi	300	20
080	0 to 15 psi	3	0.2	200	0 to 2000 psi	200	20
090	0 to 30 psi	5	0.5	210	0 to 3000 psi	500	50
100	0 to 60 psi	10	1	220	0 to 5000 psi	1000	100
110	0 to 100 psi	10	2	230	0 to 10,000 psi	2000	200

For dual scale ranges, specify the appropriate **Units of Measure: D** (psi/kPa) followed by the corresponding **A** (psi) **Range Code**. Other pressure ranges are also available including: Altitude, Ammonia, Refrigerant and Receiver. Consult Special Application Ranges section or factory for availability.