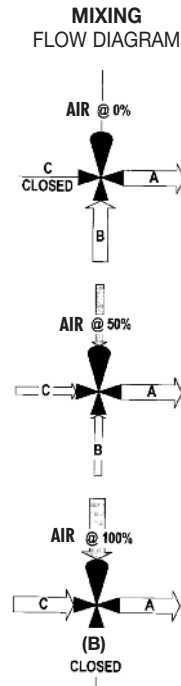
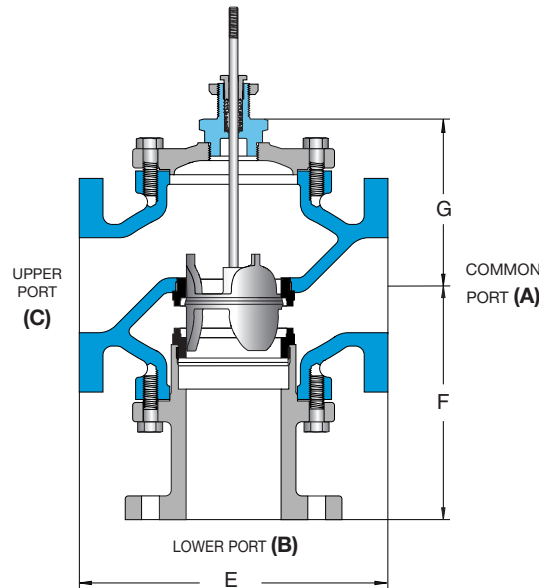


All dimensions are nominal. Dimensions in [] are in millimeters.



3-WAY • 2 1/2" – 8"

Mixing



CONTROL VALVES

Mixing	Class 125			Class 250		
Size	E	F	G	E	F	G
2 1/2"	9.0 [229]	7.1 [180]	5.5 [140]	9.6 [244]	7.4 [188]	5.5 [140]
3"	10.0 [254]	7.9 [201]	6.1 [155]	10.8 [274]	8.3 [211]	6.0 [152]
4"	13.0 [330]	9.9 [251]	7.1 [180]	13.6 [345]	10.2 [259]	7.1 [180]
5"	15.8 [401]	9.3 [236]	6.0 [152]	16.6 [422]	10.4 [264]	6.0 [152]
6"	17.8 [452]	9.9 [251]	6.8 [173]	18.6 [472]	11.0 [279]	6.8 [173]
8"	21.4 [544]	14.5 [368]	8.8 [224]	22.4 [569]	14.5 [368]	8.8 [224]

Trerice 3-Way Valves are not designed for use in steam applications.

To properly control the mixing of two flows, inlet pressures at ports B and C should be as equal as possible.

Specifications

Body Material	Trim Material	Trim Style	Close-off	Connection	Pressure & Temperature Rating
Cast-iron	Stainless steel	Linear	Class IV	Class 125 flanged Class 250 flanged	140 PSI @ 300°F (149°C) 310 PSI @ 300°F (149°C)

Valve Body Selection

Mixing		Size			Maximum Close-Off Pressure (psid)				Approximate Shipping Wt.	
Class 125	Class 250	Connection (Flanged)	Nominal Port	C _v	Actuator				Class 125	Class 250
					940B	940B w/Positioner	940C	940C w/Positioner		
P75	Q75	2 1/2	2 1/2"	69	x	118	x	169	64 lbs [29.0 kg]	73 lbs [33.1 kg]
P80	Q80	3	3"	86	x	77	x	113	83 lbs [37.6 kg]	94 lbs [42.6 kg]
P85	Q85	4	4"	156	x	39	x	58	139 lbs [63.0 kg]	157 lbs [71.2 kg]
P90	Q90	5	5"	270	x	21	x	34	157 lbs [71.2 kg]	211 lbs [95.7 kg]
P95	Q95	6	6"	347	x	13	x	21	202 lbs [91.6 kg]	283 lbs [128.4 kg]
P100	Q100	8	8"	450	Consult Factory				Consult Factory	

Valve Body Selection

(for 940 Series Heavy Duty Control Valve)

CAST IRON

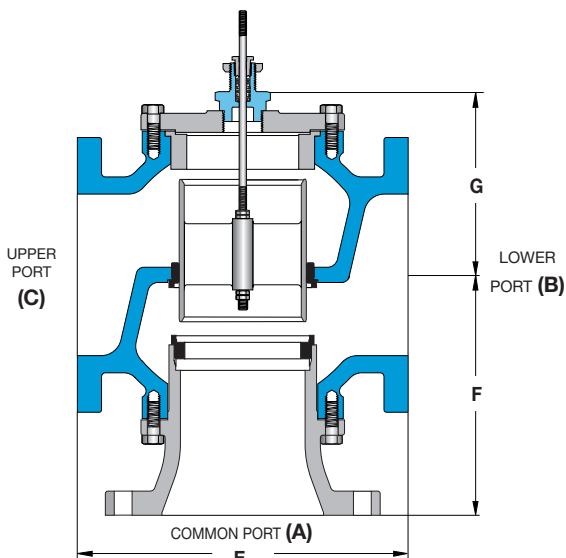
3-WAY • 2 1/2" – 8"



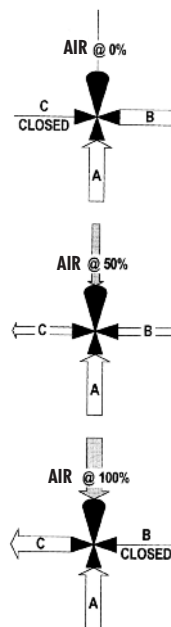
All dimensions are nominal. Dimensions in [] are in millimeters.

CONTROL VALVES

Diverting



DIVERTING FLOW DIAGRAM



Diverting Size	Class 125			Class 250		
	E	F	G	E	F	G
2 1/2"	9.0 [229]	7.1 [180]	5.5 [140]	9.6 [244]	7.4 [188]	5.5 [140]
3"	10.0 [254]	8.0 [203]	6.1 [155]	10.8 [274]	8.4 [213]	6.1 [155]
4"	13.0 [330]	9.9 [251]	7.1 [180]	13.6 [345]	10.3 [262]	7.1 [180]
5"	12.0 [305]	10.5 [267]	7.5 [191]	12.9 [328]	11.0 [279]	7.5 [191]
6"	14.1 [358]	11.1 [282]	8.1 [206]	14.5 [368]	11.5 [292]	8.1 [206]
8"	16.3 [414]	11.8 [300]	9.2 [234]	N/A	N/A	N/A

Trerice 3-Way Valves are not designed for use in steam applications.

Specifications

Body Material	Trim Material	Trim Style	Close-off	Connection	Pressure & Temperature Rating
Cast-iron	Bronze	Linear	Class II	Class 125 flanged Class 250 flanged	140 PSI @ 300°F (149°C) 310 PSI @ 300°F (149°C)

Valve Body Selection

Diverting					Maximum Close-Off Pressure (psid)				Approximate Shipping Wt.	
Class 125	Class 250	Size		C _v	Actuator				Class 125	Class 250
		Connection (Flanged)	Nominal Port		940B	940B w/Positioner	940C	940C w/Positioner		
K75	L75	2 1/2	2 1/2"	68	x	110	x	x	59 lbs [26.8 kg]	73 lbs [33.1 kg]
K80	L80	3	3"	85	x	108	x	x	78 lbs [35.4 kg]	94 lbs [42.6 kg]
K85	L85	4	4"	160	x	106	x	111	138 lbs [62.6 kg]	164 lbs [74.4 kg]
K90	L90	5	5"	195	x	104	x	108	152 lbs [68.9 kg]	213 lbs [96.6 kg]
K95	L95	6	6"	270	x	102	x	106	203 lbs [92.1 kg]	284 lbs [128.8 kg]
K100	N/A	8	8"	425	x	x	x	104	316 lbs [143.3 kg]	N/A