

865/880 Series

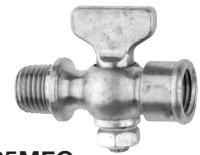
Gauge Cocks

865/880 Series Quarter Turn Gauge Cocks provide an economical way to shut off the flow of air to the pressure instrument, thereby allowing the instrument to be isolated from the pressure media or removed from service. Trerice Gauge Cocks are constructed from brass and are intended for use on air lines where leakage is not of concern. **It is recommended to place a needle valve, ball valve or gauge cock in line before every pressure gauge installation.**

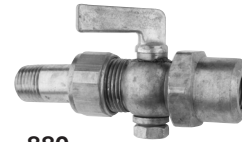
In applications where process media leakage may result in possible personal injury or property damage, gauge cocks should not be specified as they contain no packing gland and leakage may result. For tight shut-off and prevention of leakage, use of a Trerice Ball Valve or Needle Valve is required.



865



865MFG



880

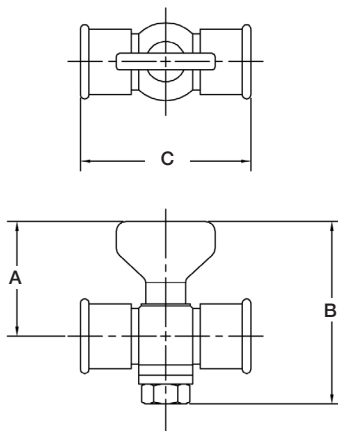
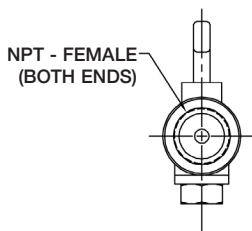
865/880 Series Gauge Cocks

Item No.	Type	Connection Size	Body	Plug	Maximum Pressure (psig)	Maximum Temperature	Approximate Shipping Weight
865	FXF	1/4 NPT	Brass*	Brass	200	500°F	0.1 lbs [0.05 kg]
865MFG	MXF	1/4 NPT	Brass*	Brass	200	500°F	0.1 lbs [0.05 kg]
880	MXF	1/4 Union	Brass	Brass	150	500°F	0.5 lbs [0.23 kg]

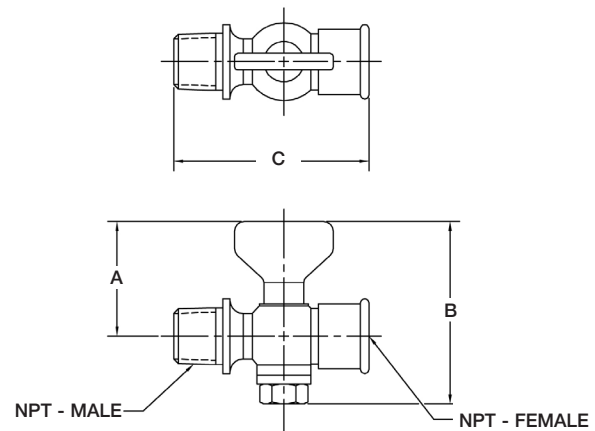
* Add (PBF) to the end of part number to specify Lead-Free brass.

All dimensions are nominal. Dimensions in [] are in millimeters.

Part No.	A	B	C	NPT
865	1.09 [28]	1.73 [44]	1.62 [41]	1/4 - 18
865MFG	1.09 [28]	1.73 [44]	1.86 [47]	1/4 - 18
880	1.12 [28]	1.82 [46]	3.31 [84]	1/4 - 18



865



865MFG & 880