

Rear Connect X-Series

BIMETAL THERMOMETERS



- ▶ **3" Dial Size**
- ▶ **± 1.0% Full Scale Accuracy**
- ▶ **Stainless Steel Case & Stem**
- ▶ **Hermetically Sealed Design**

Perfect for OEM Applications

B831X04 shown

The Trerice **X-Series OEM Bimetal Thermometer** is designed to meet the demands of the OEM and industrial marketplace, but at an economical price. It features a hermetically sealed case with a narrow, space saving profile. This instrument does not include an external reset, ensuring tamperproof operation throughout the life of the unit.

- Optional features available: Please consult the Options & Accessories Section for details.

Thermowell

- For corrosive or pressure applications, use of a thermowell is recommended to prevent damage to the thermometer and facilitate its removal from the process (refer to pages 163-169). For correct use and application of all Bimetallic thermometers, please refer to the Bimetallic Actuated Thermometer Standard ASME B40.3.

Specifications

Model	Dial Size
B831X	3"
Case	300 stainless steel, hermetically sealed
Stem	300 stainless steel 1/4" diameter
Coil	Bimetallic, silicone dampened ranges to 300°F (148°F), above 300°F not dampened
Connection	Rear 1/2 NPT
Window	Polycarbonate
Pointer	Balanced, black finished
Dial Face	Aluminum, white background with black and blue graduations and markings
External Reset	No
Accuracy	±1.0 % Full Scale ASME B40.3 Grade A

Approximate Shipping Weight

B831X: 0.5 lbs [0.22 kg]

HOW TO ORDER

Sample Order Number: **B831X 04 05**

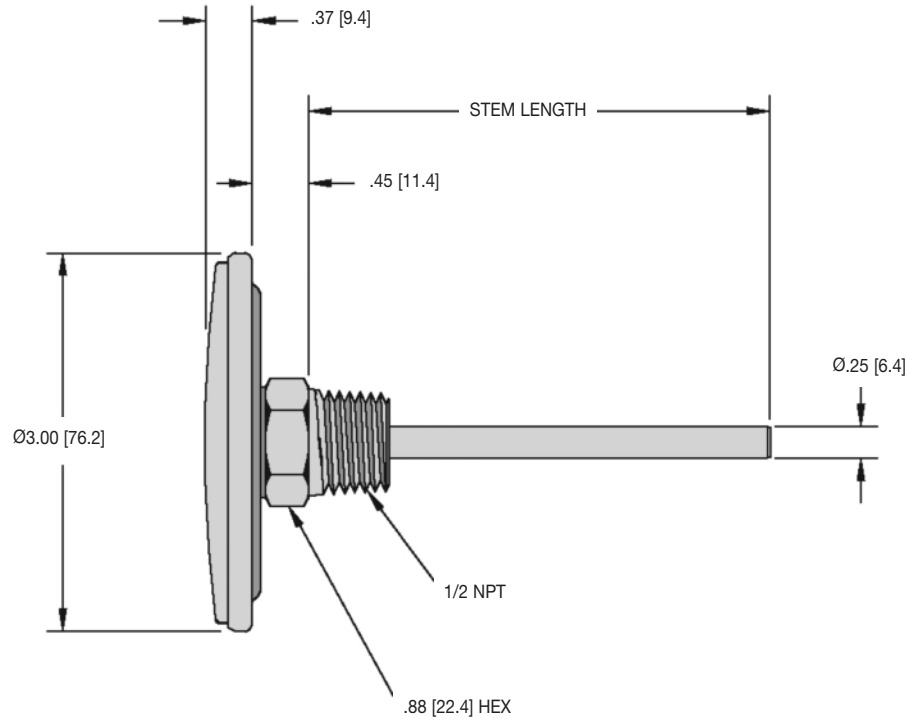
Model	Stem Length	Range Code
B831X	02 2 1/2" Stem	See Standard Ranges
	04 4" Stem	
	06 6" Stem	
	09 9" Stem	
	12 12" Stem	
	15 15" Stem	
	18 18" Stem	
	24 24" Stem	

Other lengths available: Specify in inches (72" maximum)

Rear Connect X-Series

All dimensions are nominal. Dimensions in [] are in millimeters.

BIMETAL THERMOMETERS



Standard Ranges

Dual Scale (Fahrenheit & Celsius Range)		Fahrenheit Only Range		Celsius Only Range		Fahrenheit		Celsius	
Range Code	Range	Range Code	Range	Range Code	Range	Figure Intervals	Minor Divisions	Figure Intervals	Minor Divisions
01	-100° to 100°F & -75° to 40°C	01F	-100° to 100°F	01C	-75° to 40°C	20°	2°	10°	1°
02	-40° to 160°F & -40° to 70°C	02F	-40° to 160°F	02C	-40° to 70°C	20°	2°	10°	1°
12*†	0° to 100°F & -20° to 40°C	12F*†	0° to 100°F	12C*†	-20° to 40°C	10°	1°	10°	1°
03*†	25° to 125°F & -5° to 50°C	03F*†	25° to 125°F	03C*†	-5° to 50°C	10°	1°	5°	1/2°
04	0° to 200°F & -20° to 95°C	04F	0° to 200°F	04C	-20° to 95°C	20°	2°	10°	1°
05	20° to 240°F & -10° to 115°C	05F	20° to 240°F	05C	-10° to 115°C	20°	2°	10°	1°
27	0° to 250°F & -20° to 120°C	27F	0° to 250°F	27C	-20° to 120°C	50°	2°	20°	2°
06	50° to 300°F & 10° to 150°C	06F	50° to 300°F	06C	10° to 150°C	50°	2°	20°	2°
07	50° to 400°F & 10° to 200°C	07F	50° to 400°F	07C	10° to 200°C	50°	5°	50°	2°
08	50° to 500°F & 10° to 260°C	08F	50° to 500°F	08C	10° to 260°C	50°	5°	50°	2°

* Minimum stem length for these ranges is 4".

† Minimum insertion length for these ranges is 3".

See Thermowells for Bimetal Thermometers & Temperature Sensors (page 163-169) for applicable insertion lengths.